

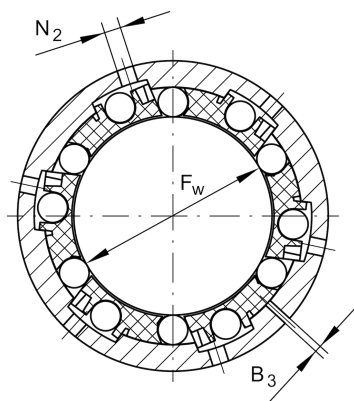
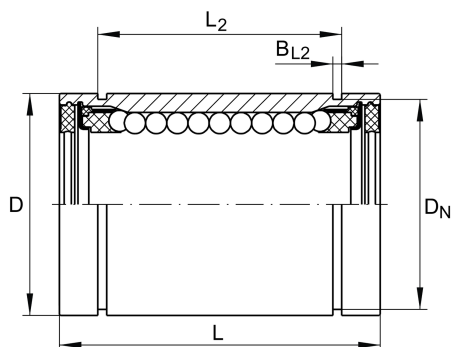
## KBS20-PP-AS

### Linear ball bearing

Schaeffler ID:  
0015217990000

Linear ball bearings KBS...-PP-AS, machined range, adjustable, sealed on all sides, with relubrication facility, corrosion-resistant design possible

### Technical information



### Main Dimensions & Performance Data

$F_w$	20 mm	Bore diameter of ball complement
$D$	32 mm	Outside diameter
$L$	45 mm	length
	h12	Tolerance
$C_{min}$	1.570 N	load capacity dyn.
$C_{0 min}$	1.230 N	load capacity stat.
$C_{max}$	1.660 N	load capacity dyn.
$C_{0 max}$	1.570 N	load capacity stat.
	87,74 g	Weight

### Mounting dimensions

$L_2$	31,2 mm	
	H13	Tolerance
$B_{L2}$	1,6 mm	
$B_3$	1 mm	
$D_N$	30,3 mm	
$N_2$	2 mm	
$\chi$	62,5 °	
	6	Number of rows balls