

★ KH06-PP

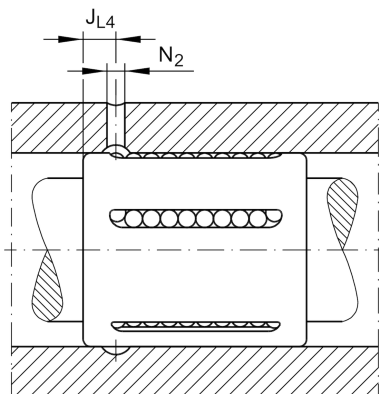
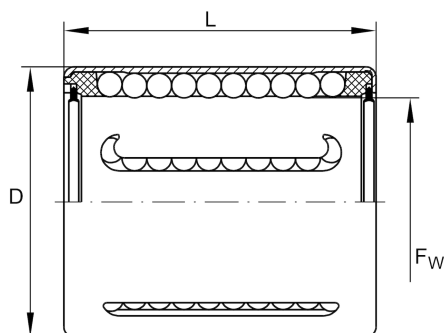
Linear ball bearing

Schaeffler ID:
0002127410000

★ Preferred product

Linear ball bearings with initial greasing,
sealed on both sides, with relubrication
facility

Technical information



Main Dimensions & Performance Data

F_w	6 mm	Diameter shaft
D	12 mm	Outer diameter
L	22 mm	Länge
C_{min}	340 N	load capacity dyn.
C_{0min}	240 N	load capacity stat.
C_{max}	390 N	load capacity dyn.
C_{0max}	340 N	load capacity stat.
	7,3 g	Weight

Mounting dimensions

J_{L4}	4 mm
N_2	2 mm

Additional information

VMKB_065	KH	Material name
----------	----	---------------