

★ KH40-PP

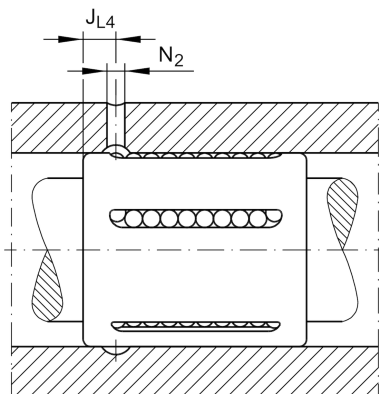
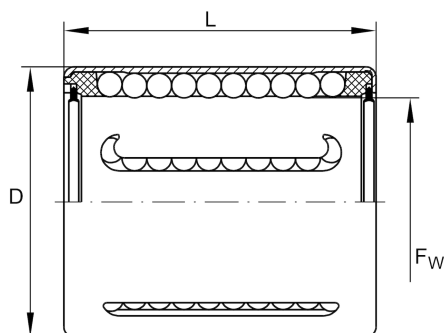
Linear ball bearing

Schaeffler ID:
0001845600000

★ Preferred product

Linear ball bearings with initial greasing,
sealed on both sides, with relubrication
facility

Technical information



Main Dimensions & Performance Data

F_w	40 mm	Diameter shaft
D	52 mm	Outer diameter
L	60 mm	Länge
C_{min}	5.300 N	load capacity dyn.
C_{0min}	4.450 N	load capacity stat.
C_{max}	5.300 N	load capacity dyn.
C_{0max}	4.950 N	load capacity stat.
	0,185 kg	Weight

Mounting dimensions

J_{L4}	9 mm
N_2	2,5 mm

Additional information

VMKB_065	KH	Material name
----------	----	---------------