

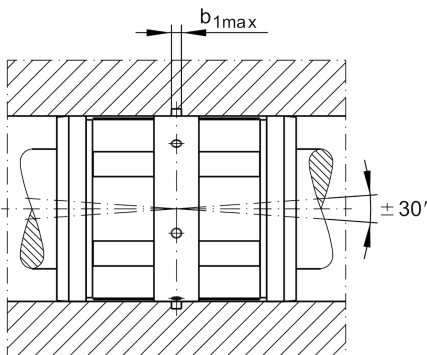
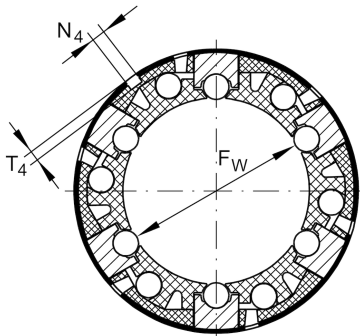
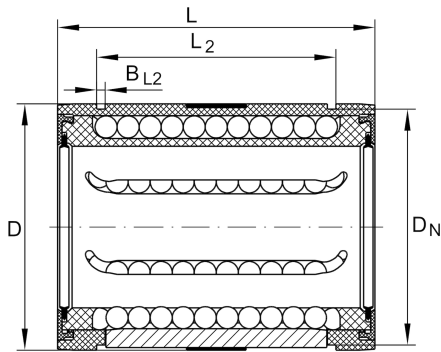
KN50-B-PP

Linear ball bearing

Schaeffler ID:
0244642520000

Linear ball bearings KN...-B-PP, Lightweight range, closed design, sealed on all sides, with relubrication facility, adjustable angle

Technical information



Main Dimensions & Performance Data

F_w	50 mm	Bore diameter of ball complement
D	75 mm	Outside diameter
L	100 mm	length
C_{min}	9.300 N	load capacity dyn.
C_{0min}	6.500 N	load capacity stat.
C_{max}	9.800 N	load capacity dyn.
C_{0max}	8.300 N	load capacity stat.
	0,659 kg	Weight

Mounting dimensions

L_2	77,3 mm	
B_{L2}	2,65 mm	
D_N	71,4 mm	
T_4	2,3 mm	
N_4	5 mm	
b_{1max}	3 mm	
	6	Number of rows balls