

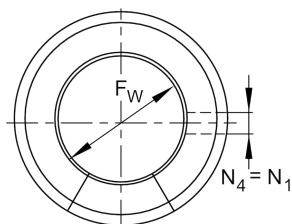
KS20-PP

Linear ball bearing

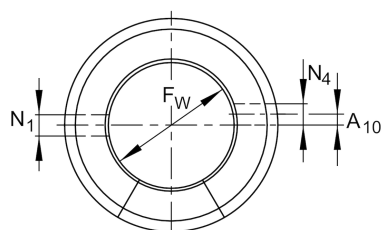
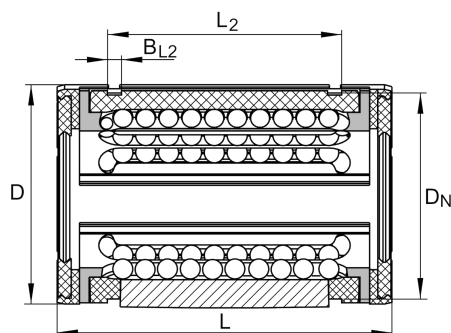
Schaeffler ID:
0067137690000

Linear ball bearings KS.-PP, heavy load range, lip seals on both sides

Technical information



KS16, 20
KSO16, 20



KS30, 40, 50
KSO30, 40, 50

Main Dimensions & Performance Data

F_w	20 mm	Bore diameter of ball complement
D	32 mm	Outside diameter
L	45 mm	length
C_{min}	1.780 N	load capacity dyn.
$C_{0 min}$	1.600 N	load capacity stat.
C_{max}	2.200 N	load capacity dyn.
$C_{0 max}$	2.310 N	load capacity stat.
	0,05 kg	Weight

Mounting dimensions

L_2	31,2 mm	
	H13	Tolerance
B_{L2}	1,6 mm	
D_N	30,7 mm	
N_1	3 mm	
N_4	3 mm	
8		Number of rows balls

