

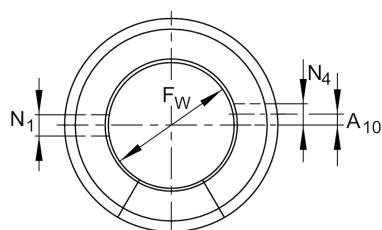
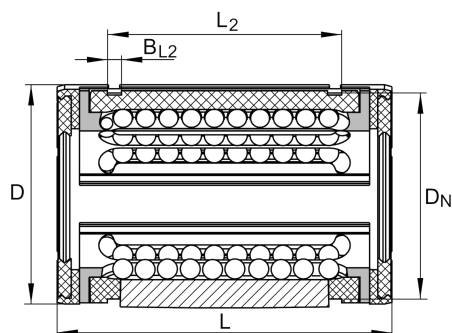
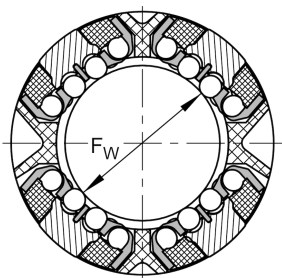
KS30-PP

Linear ball bearing

Schaeffler ID:
0067138070000

Linear ball bearings KS..-PP, heavy load range, lip seals on both sides

Technical information



KS30, 40, 50
KSO30, 40, 50

Main Dimensions & Performance Data

F_w	30 mm	Bore diameter of ball complement
D	47 mm	Outside diameter
L	68 mm	length
C_{min}	4.650 N	load capacity dyn.
C_{0min}	3.970 N	load capacity stat.
C_{max}	5.900 N	load capacity dyn.
C_{0max}	6.000 N	load capacity stat.
	0,18 kg	Weight

Mounting dimensions

L_2	51,7 mm	
	H13	Tolerance
B_{L2}	1,85 mm	
D_N	44,7 mm	
A_{10}	2 mm	Angle of sector opening
N_1	3,5 mm	
N_4	3 mm	
	8	Number of rows balls

