

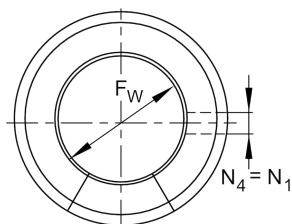
KS16

Linear ball bearing

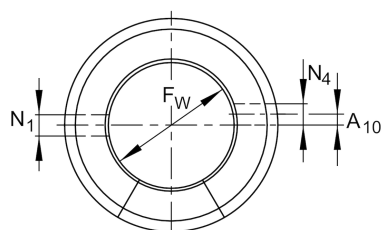
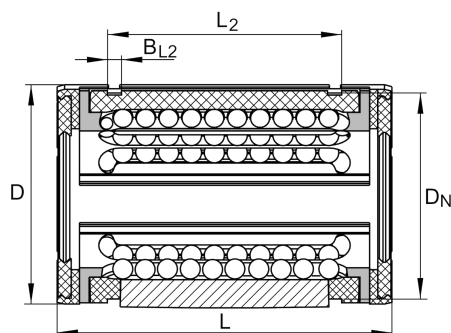
Schaeffler ID:
0067137420000

Linear ball bearings KS., heavy load
range, gap seals on both sides

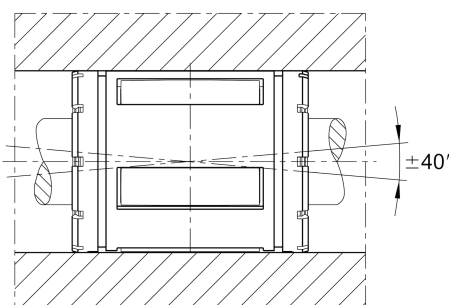
Technical information



KS16, 20
KSO16, 20



KS30, 40, 50
KSO30, 40, 50



Main Dimensions & Performance Data

F_w	16 mm	Bore diameter of ball complement
D	26 mm	Outside diameter
L	36 mm	length
C_{min}	1.060 N	load capacity dyn.
C_{0min}	950 N	load capacity stat.
C_{max}	1.430 N	load capacity dyn.
C_{0max}	1.550 N	load capacity stat.
	0,03 kg	Weight

Mounting dimensions

L_2	24,6 mm	
	H13	Tolerance
B_{L2}	1,3 mm	
D_N	25 mm	
N_1	3 mm	
N_4	3 mm	
8		Number of rows balls