

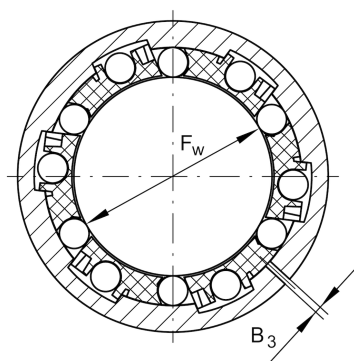
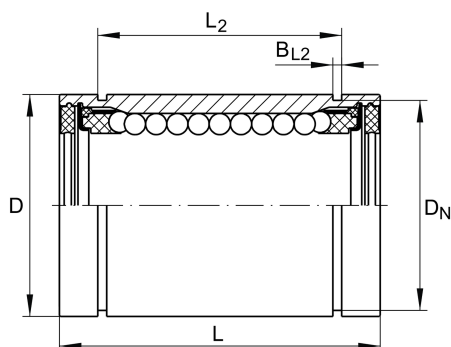
KBS50-PP

Linear ball bearing

Schaeffler ID:
0012758520000

Linear ball bearings KBS...-PP, machined range, adjustable, sealed on all sides, corrosion-resistant design possible

Technical information



Main Dimensions & Performance Data

F_w	50 mm	Bore diameter of ball complement
D	75 mm	Outside diameter
L	100 mm	length
	h12	Tolerance
C_{min}	8.700 N	load capacity dyn.
$C_{0 min}$	6.300 N	load capacity stat.
C_{max}	9.200 N	load capacity dyn.
$C_{0 max}$	8.000 N	load capacity stat.
	0,975 kg	Weight

Mounting dimensions

L_2	77,3 mm	
	H13	Tolerance
B_{L2}	2,65 mm	
B_3	1 mm	
D_N	72 mm	
N_2	4 mm	
X	64 °	
	6	Number of rows balls