

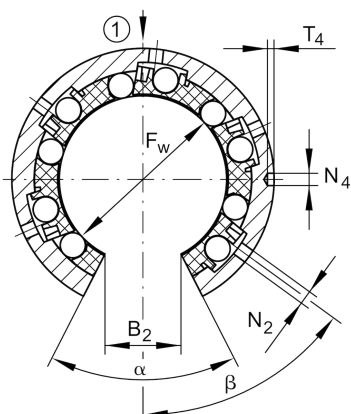
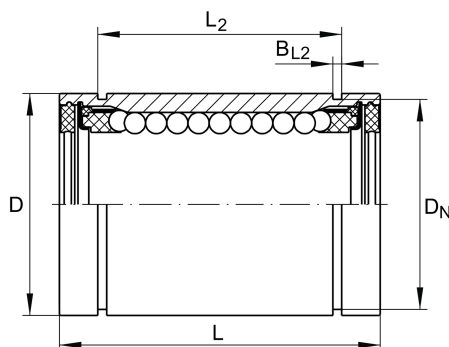
## KBO12-PP-AS

Linear ball bearing

Schaeffler ID:  
0017188780000

Linear ball bearings KBO..-PP-AS, machined range, open design, sealed on all sides, with relubrication facility, corrosion-resistant design possible

### Technical information



### Main Dimensions & Performance Data

$F_w$	12 mm	Bore diameter of ball complement
$D$	22 mm	Outside diameter
$L$	32 mm	length
	h12	Tolerance
$C_{max}$	600 N	load capacity dyn.
$C_{0max}$	445 N	load capacity stat.
	28,99 g	Weight

### Mounting dimensions

$B_2$	7,7 mm	Width of sector opening
$L_2$	22,6 mm	
	H13	Tolerance
$B_{L2}$	1,3 mm	
$D_N$	21 mm	
$T_4$	1,2 mm	
$N_4$	2,2 mm	
$N_2$	1,5 mm	
$\alpha$	78 °	Angle of sector opening
$\beta$	64 °	
	4	Number of rows balls