

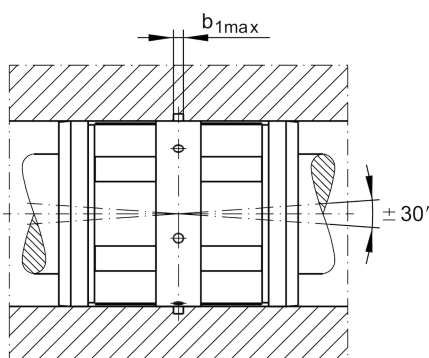
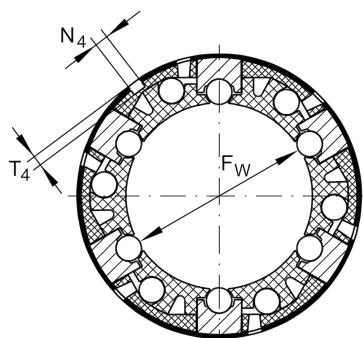
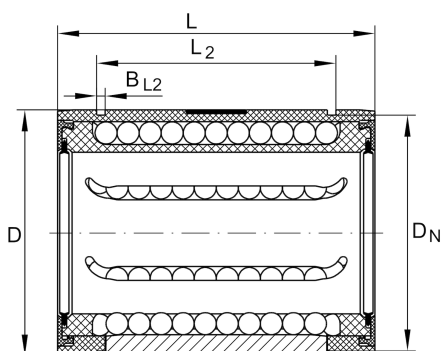
KN40-B

Linear ball bearing

Schaeffler ID:
0296806970000

Linear ball bearings KN...-B, Lightweight range, closed design, with relubrication facility, adjustable angle

Technical information



Main Dimensions & Performance Data

| | | |
|-------------|---------|----------------------------------|
| F_w | 40 mm | Bore diameter of ball complement |
| D | 62 mm | Outside diameter |
| L | 80 mm | length |
| C_{min} | 6.300 N | load capacity dyn. |
| $C_{0 min}$ | 4.350 N | load capacity stat. |
| C_{max} | 6.700 N | load capacity dyn. |
| $C_{0 max}$ | 5.600 N | load capacity stat. |
| | 0,37 kg | Weight |

Mounting dimensions

| | | |
|-------------|---------|----------------------|
| L_2 | 60,3 mm | |
| | H13 | Tolerance |
| B_{L2} | 2,15 mm | |
| D_N | 59,4 mm | |
| T_4 | 2,2 mm | |
| N_4 | 3 mm | |
| $b_{1 max}$ | 3 mm | |
| | 6 | Number of rows balls |