

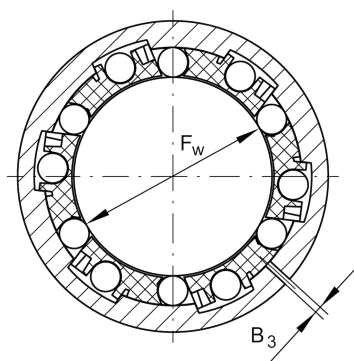
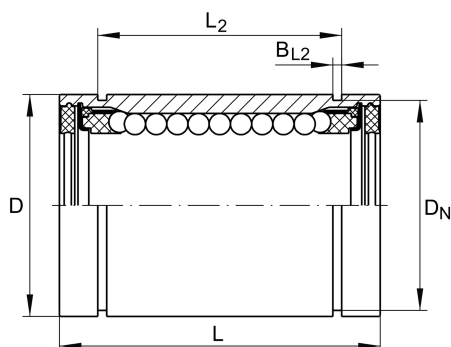
## KBS30

### Linear ball bearing

Schaeffler ID:  
0012538160000

Linear ball bearings KBS..., machined range, adjustable, corrosion-resistant design possible

## Technical information



### Main Dimensions & Performance Data

$F_w$	30 mm	Bore diameter of ball complement
$D$	47 mm	Outside diameter
$L$	68 mm	length
	h12	Tolerance
$C_{min}$	3.600 N	load capacity dyn.
$C_{0 min}$	2.850 N	load capacity stat.
$C_{max}$	3.800 N	load capacity dyn.
$C_{0 max}$	3.600 N	load capacity stat.
	0,294 kg	Weight

### Mounting dimensions

$L_2$	51,7 mm	
	H13	Tolerance
$B_{L2}$	1,85 mm	
$B_3$	1 mm	
$D_N$	44,5 mm	
$N_2$	2,5 mm	
$X$	64 °	
	6	Number of rows balls