

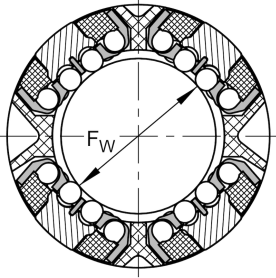
KS50

Linear ball bearing

Schaeffler ID:
0067538090000

Linear ball bearings KS., heavy load range, gap seals on both sides

Technical information

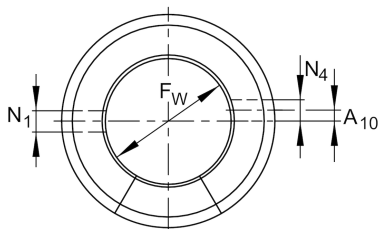
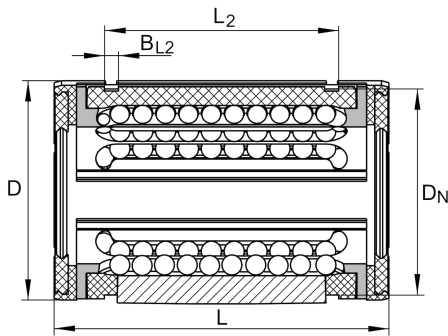


Main Dimensions & Performance Data

F_w	50 mm	Bore diameter of ball complement
D	75 mm	Outside diameter
L	100 mm	length
C_{min}	12.300 N	load capacity dyn.
C_{0min}	9.700 N	load capacity stat.
C_{max}	15.100 N	load capacity dyn.
C_{0max}	13.900 N	load capacity stat.
	0,6 kg	Weight

Mounting dimensions

L_2	77,3 mm	
	H13	Tolerance
B_{L2}	2,65 mm	
D_N	71,4 mm	
A_{10}	2,5 mm	Angle of sector opening
N_1	4,5 mm	
N_4	5 mm	
	8	Number of rows balls



KS30, 40, 50
KSO30, 40, 50

