

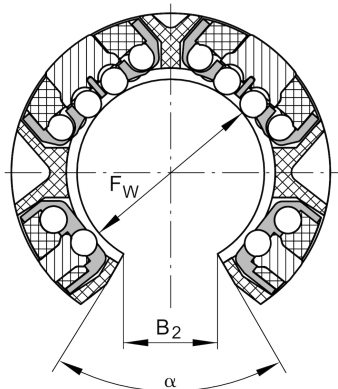
KSO40

Linear ball bearing

Schaeffler ID:
0067537870000

Linear ball bearings KSO., heavy load range, open design, gap seals on both sides

Technical information

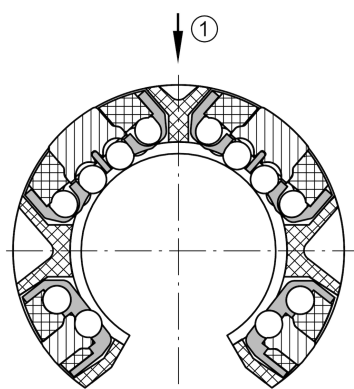
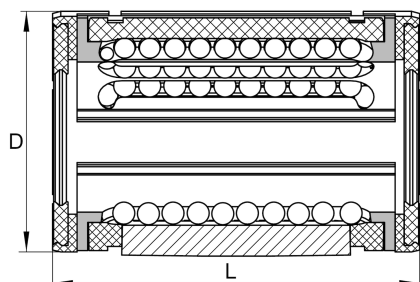


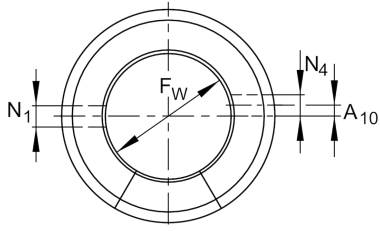
Main Dimensions & Performance Data

F_w	40 mm	Bore diameter of ball complement
D	62 mm	Outside diameter
L	80 mm	length
C_{max}	10.200 N	load capacity dyn.
C_{0max}	9.600 N	load capacity stat.
	0,27 kg	Weight

Mounting dimensions

B_2	18,2 mm	Width of sector opening
A_{10}	1,5 mm	Angle of sector opening
N_1	3,5 mm	
N_4	3 mm	
α	54 °	Angle of sector opening
	6	Number of rows balls





KS30, 40, 50
KSO30, 40, 50

