



★ GE80-XL-KRR-B

Radial insert ball bearing

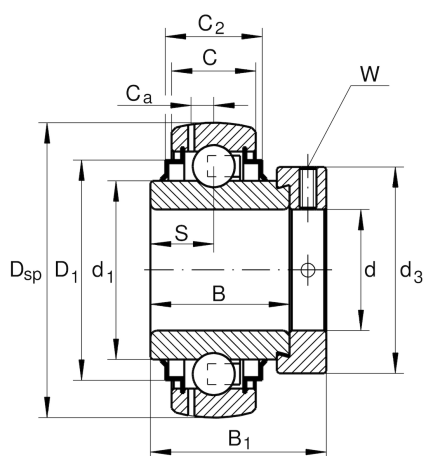
Schaeffler ID:
0008050760000

Radial insert ball bearing GE...XL-KRR-B

★ Preferred product

X-life

Technical information



Main Dimensions & Performance Data

d	80 mm	Bore diameter
D _{SP}	140 mm	Outside diameter
B	53,2 mm	Width
B ₁	70,7 mm	Locking collar total width
n _{G Grease}	5.600 1/min	Limiting speed for grease lubrication
C _r	76.000 N	Basic dynamic load rating, radial
C _{0r}	54.000 N	Basic static load rating, radial
C _{ur}	2.700 N	Fatigue load limit, radial
	2,79 kg	Weight

Dimensions

C	30 mm	Width, outer ring
C ₂	38 mm	Sealing total width
S	23,4 mm	Distance raceway
d ₁	97 mm	Rib diameter inner ring
D ₁	120 mm	Outside diameter seal
C _a	8,8 mm	Distance to lubrication hole
d ₃	108 mm	Outside diameter locking collar/locknut
W	6 mm	Width of flats

Additional information

f ₀	14,7	Calculation factor
----------------	------	--------------------