



★ GSH25-XL-2RSR-B

Radial insert ball bearing

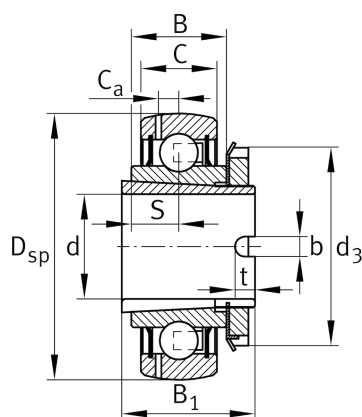
Schaeffler ID:
0009929840000

★ Preferred product

Radial insert ball bearings GSH...-2RSR-B, spherical outer ring, location by adapter sleeve, RSR seals on both sides

X-life

Technical information



Main Dimensions & Performance Data

| | | |
|-----------------------|--------------|---------------------------------------|
| d | 25 mm | Bore diameter |
| D _{SP} | 52 mm | Outside diameter |
| B | 15 mm | Width |
| B ₁ | 28 mm | Locking collar total width |
| n _{G Grease} | 16.000 1/min | Limiting speed for grease lubrication |
| C _r | 13.600 N | Basic dynamic load rating, radial |
| C _{0r} | 7.800 N | Basic static load rating, radial |
| C _{ur} | 420 N | Fatigue load limit, radial |
| | 0,16 kg | Weight |

Dimensions

| | | |
|----------------|--------|---|
| C | 15 mm | Width, outer ring |
| S | 7,5 mm | Distance raceway |
| C _a | 3,9 mm | Distance to lubrication hole |
| b | 5 mm | Width retaining slot |
| t | 5 mm | Height retaining slot adapter sleeve |
| d ₃ | 38 mm | Outside diameter locking collar/locknut |

Additional information

| | | |
|----------------|----------------------------|--------------------|
| | HUESH.SH25- ZN-0100-HLA | Adapter sleeve |
| f ₀ | 13,9 | Calculation factor |