

★ GSH35-XL-2RSR-B

Radial insert ball bearing

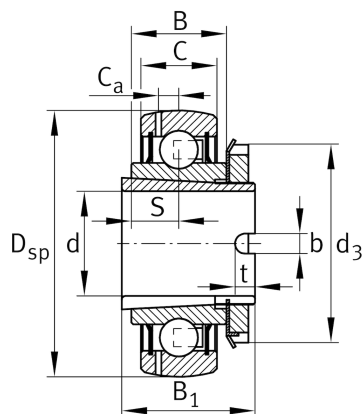
Schaeffler ID:
0009476790000

★ Preferred product

Radial insert ball bearings GSH...-2RSR-B, spherical outer ring, location by adapter sleeve, RSR seals on both sides

X-life

Technical information



Main Dimensions & Performance Data

d	35 mm	Bore diameter
D _{SP}	72 mm	Outside diameter
B	19 mm	Width
B ₁	34 mm	Locking collar total width
n _{G Grease}	11.400 1/min	Limiting speed for grease lubrication
C _r	24.900 N	Basic dynamic load rating, radial
C _{0r}	15.300 N	Basic static load rating, radial
C _{ur}	820 N	Fatigue load limit, radial
	0,4 kg	Weight

Dimensions

C	19 mm	Width, outer ring
S	9,5 mm	Distance raceway
C _a	5,8 mm	Distance to lubrication hole
b	5 mm	Width retaining slot
t	5 mm	Height retaining slot adapter sleeve
d ₃	52 mm	Outside diameter locking collar/locknut

Additional information

	HUESH.SH35- ZN-0100-HLA	Adapter sleeve
f ₀	13,9	Calculation factor