

★ GSH40-XL-2RSR-B

Radial insert ball bearing

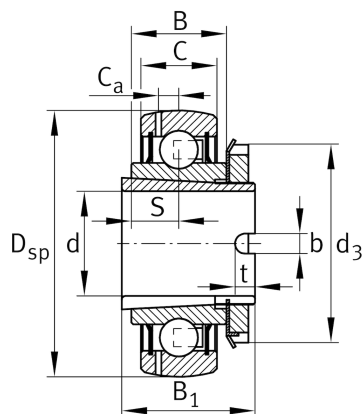
Schaeffler ID:
0009555660000

★ Preferred product

Radial insert ball bearings GSH...-2RSR-B, spherical outer ring, location by adapter sleeve, RSR seals on both sides

X-life

Technical information



Main Dimensions & Performance Data

d	40 mm	Bore diameter
D _{SP}	80 mm	Outside diameter
B	22 mm	Width
B ₁	38 mm	Locking collar total width
n _{G Grease}	10.200 1/min	Limiting speed for grease lubrication
C _r	29.500 N	Basic dynamic load rating, radial
C _{0r}	19.800 N	Basic static load rating, radial
C _{ur}	1.030 N	Fatigue load limit, radial
	0,518 kg	Weight

Dimensions

C	21 mm	Width, outer ring
S	11 mm	Distance raceway
C _a	6,4 mm	Distance to lubrication hole
b	5 mm	Width retaining slot
t	5 mm	Height retaining slot adapter sleeve
d ₃	58 mm	Outside diameter locking collar/locknut

Additional information

	HUESH.SH40- ZN-0100-HLA	Adapter sleeve
f ₀	14,6	Calculation factor