

★ RPNA15/28-XL

Aligning needle roller bearing

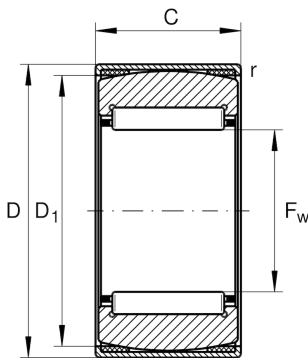
Schaeffler ID:
0507794350000

Aligning needle roller bearings RPNA,
without inner ring

★ Preferred product

X-life

Technical information



Temperature range

T_{\min}	-20 °C	Operating temperature min.
T_{\max}	100 °C	Operating temperature max.
	31,32 g	Weight

Main Dimensions & Performance Data

F_w	15 mm	Under roller diameter
D	28 mm	Outside diameter
C	12 mm	Width, outer ring
C_r	7.800 N	Basic dynamic load rating, radial
C_{0r}	7.900 N	Basic static load rating, radial
C_{ur}	1.450 N	Fatigue load limit, radial
n_G	24.100 1/min	Limiting speed

Dimensions

D_1	24,5 mm	Flange diameter of outer cup
r_{\min}	0,8 mm	Minimum chamfer dimension