

★ RPNA18/32-XL

Aligning needle roller bearing

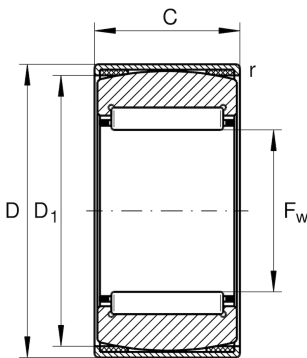
Schaeffler ID:
0507796480000

Aligning needle roller bearings RPNA,
without inner ring

★ Preferred product

X-life

Technical information



Temperature range

T_{\min}	-20 °C	Operating temperature min.
T_{\max}	100 °C	Operating temperature max.
	51,95 g	Weight

Main Dimensions & Performance Data

F_w	18 mm	Under roller diameter
D	32 mm	Outside diameter
C	16 mm	Width, outer ring
C_r	14.100 N	Basic dynamic load rating, radial
C_{0r}	16.200 N	Basic static load rating, radial
C_{ur}	3.050 N	Fatigue load limit, radial
n_G	22.100 1/min	Limiting speed

Dimensions

D_1	27 mm	Flange diameter of outer cup
r_{\min}	0,8 mm	Minimum chamfer dimension