

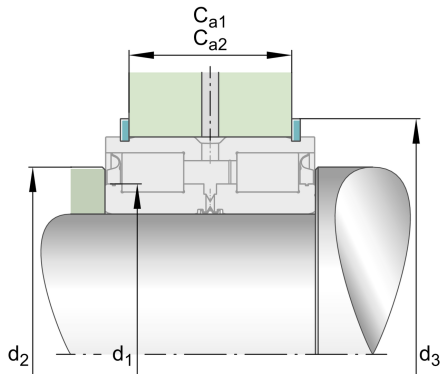
SL045056-D-PP

Cylindrical roller bearing

Schaeffler ID:
0892748650000

Cylindrical roller bearing SL04...-D-PP, full complement roller set, two-row, locating bearing, central rib on outer ring, 3 ribs on inner ring, type SL04

Technical information



Temperature range

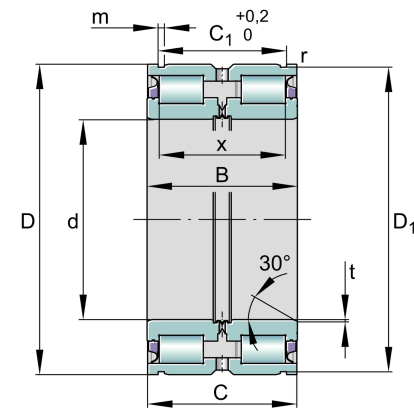
T_{min}	-30 °C	Operating temperature min.
T_{max}	80 °C	Operating temperature max.
	87,8 kg	Weight

Main Dimensions & Performance Data

d	280 mm	Bore diameter
D	420 mm	Outside diameter
B	190 mm	Width
C_r	2.600.000 N	Basic dynamic load rating, radial
C_{0r}	5.200.000 N	Basic static load rating, radial
C_{ur}	590.000 N	Fatigue load limit, radial
$n_{G Grease}$	450 1/min	Limiting speed for grease lubrication

Dimensions

C	189 mm	Width, outer ring
C_1	163,2 mm	Distance ring grooves
D_1	413 mm	Diameter of groove
m	7,3 mm	Width of groove
r_{min}	1,1 mm	Minimum chamfer dimension
t	3 mm	Chamfer width
X	150 mm	Distance between rolling elements



Mounting dimensions

C_{a1}	154 mm	Mounting dim for snap ring WRE (not included in delivery) Tolerance: 0/-0,2
C_{a2}	149 mm	Mounting dim for retaining ring to DIN 471 (not incl. In delivery) Tol: 0/-0,2
d_1	321 mm	Rib diameter inner ring
d_2	354 mm	Sealing diameter (rib)
d_3	453 mm	Outside diameter of snap ring WRE
$d_{1\min}$	321,5 mm	Minimum diameter shaft shoulder
$r_{a\max}$	1,1 mm	Maximum recess radius
	30 °	Chamfer angle
	-0,2 mm	Lower distance snap ring tolerance
	-0,2 mm	Lower distance retaining ring tolerance
	0 mm	Upper distance snap ring tolerance
	0 mm	Upper distance retaining ring tolerance
	0 mm	Lower distance ring groove tolerance
	0,2 mm	Upper distance ring groove tolerance