

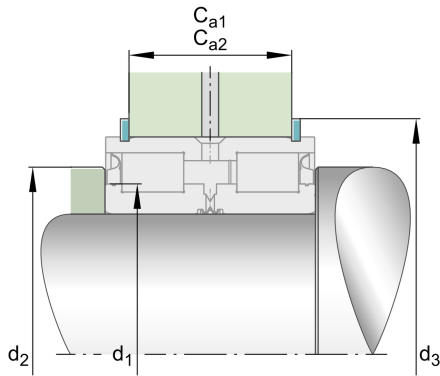
## SL045060-D-PP

### Cylindrical roller bearing

Schaeffler ID:  
0892664390000

Cylindrical roller bearing SL04...-D-PP, full complement roller set, two-row, locating bearing, central rib on outer ring, 3 ribs on inner ring, type SL04

## Technical information



### Temperature range

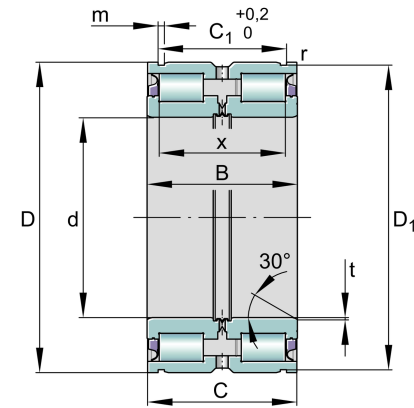
$T_{min}$	-30 °C	Operating temperature min.
$T_{max}$	80 °C	Operating temperature max.
	123,4 kg	Weight

### Main Dimensions & Performance Data

d	300 mm	Bore diameter
D	460 mm	Outside diameter
B	218 mm	Width
$C_r$	3.000.000 N	Basic dynamic load rating, radial
$C_{0r}$	5.800.000 N	Basic static load rating, radial
$C_{ur}$	650.000 N	Fatigue load limit, radial
$n_{G Grease}$	415 1/min	Limiting speed for grease lubrication

### Dimensions

C	216 mm	Width, outer ring
$C_1$	185,2 mm	Distance ring grooves
$D_1$	453 mm	Diameter of groove
m	7,3 mm	Width of groove
$r_{min}$	1,1 mm	Minimum chamfer dimension
t	3 mm	Chamfer width
X	170 mm	Distance between rolling elements



### Mounting dimensions

$C_{a1}$	176 mm	Mounting dim for snap ring WRE (not included in delivery) Tolerance: 0/-0,2
$C_{a2}$	171 mm	Mounting dim for retaining ring to DIN 471 (not incl. In delivery) Tol: 0/-0,2
$d_1$	347 mm	Rib diameter inner ring
$d_2$	375 mm	Sealing diameter (rib)
$d_3$	493 mm	Outside diameter of snap ring WRE
$d_{1\text{ min}}$	347 mm	Minimum diameter shaft shoulder
$r_{a\text{ max}}$	1,1 mm	Maximum recess radius
	30 °	Chamfer angle
	-0,2 mm	Lower distance snap ring tolerance
	-0,2 mm	Lower distance retaining ring tolerance
	0 mm	Upper distance snap ring tolerance
	0 mm	Upper distance retaining ring tolerance
	0 mm	Lower distance ring groove tolerance
	0,2 mm	Upper distance ring groove tolerance