



★ RCJ100-XL

Flanged housing unit

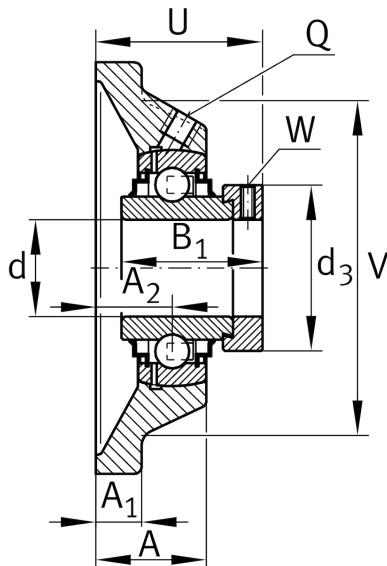
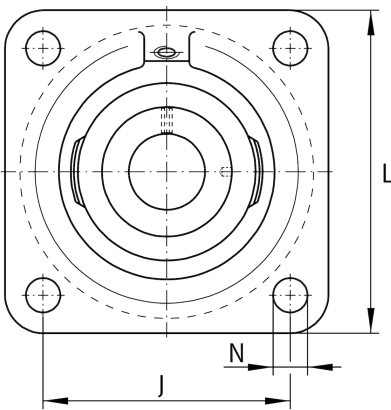
Schaeffler ID:
0008776110000

★ Preferred product

Housing units RCJ, four-bolt flanged housing units, cast iron, eccentric locking collar, R seals

X-life

Technical information



Main Dimensions & Performance Data

d	100 mm	Bore diameter
L	265 mm	Flange width
U	77,5 mm	Total height unit
C_r	130.000 N	Basic dynamic load rating, radial
C_{0r}	93.000 N	Basic static load rating, radial
C_{ur}	4.100 N	Fatigue load limit, radial
	12,25 kg	Weight

Dimensions

A	46 mm	Height housing
A_1	25 mm	Thickness of flange
A_2	28 mm	Distance raceway
V	230 mm	Shoulder diameter housing
Q	M6	Connection thread lubrication
d_3	132 mm	Outside diameter eccentric locking collar

Mounting dimensions

J	210 mm	Distance fixing bore
N	27 mm	Fixing bore
n	4	Number of screwing holes

Additional information

	1	Number of housings
	CJ20	Housing
	GE100-XL-KRR-B	Bearing designation