



★ RCJ120-XL

Flanged housing unit

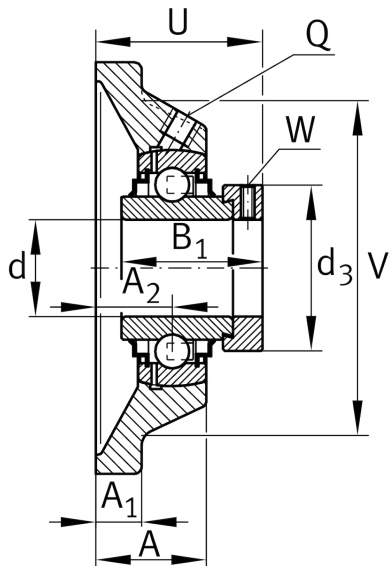
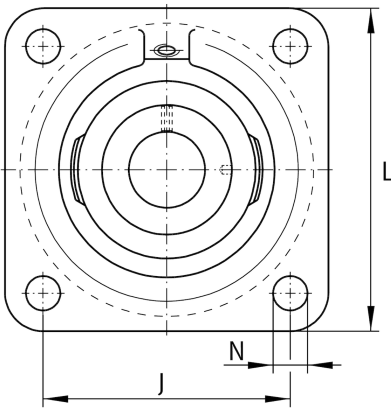
Schaeffler ID:
0008776380000

★ Preferred product

Housing units RCJ, four-bolt flanged housing units, cast iron, eccentric locking collar, R seals

X-life

Technical information



Main Dimensions & Performance Data

d	120 mm	Bore diameter
L	305 mm	Flange width
U	83 mm	Total height unit
C_r	165.000 N	Basic dynamic load rating, radial
C_{0r}	131.000 N	Basic static load rating, radial
C_{ur}	5.300 N	Fatigue load limit, radial
	17,897 kg	Weight

Dimensions

A	51 mm	Height housing
A_1	28 mm	Thickness of flange
A_2	31 mm	Distance raceway
V	270 mm	Shoulder diameter housing
Q	Rp1/8	Connection thread lubrication
d_3	152 mm	Outside diameter eccentric locking collar

Mounting dimensions

J	240 mm	Distance fixing bore
N	30 mm	Fixing bore
n	4	Number of screwing holes

Additional information

	1	Number of housings
	CJ24	Housing
	GE120-XL-KRR-B	Bearing designation