



★ RCJ90-XL

Flanged housing unit

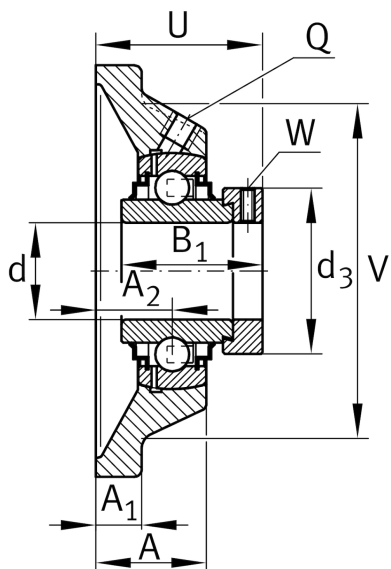
Schaeffler ID:
0008776030000

★ Preferred product

Housing units RCJ, four-bolt flanged housing units, cast iron, eccentric locking collar, R seals

X-life

Technical information



Main Dimensions & Performance Data

d	90 mm	Bore diameter
L	235 mm	Flange width
U	70,3 mm	Total height unit
C_r	109.000 N	Basic dynamic load rating, radial
C_{0r}	79.000 N	Basic static load rating, radial
C_{ur}	3.650 N	Fatigue load limit, radial
	8,88 kg	Weight

Dimensions

A	39,8 mm	Height housing
A_1	22 mm	Thickness of flange
A_2	23,8 mm	Distance raceway
V	200 mm	Shoulder diameter housing
Q	Rp1/8	Connection thread lubrication
d_3	118 mm	Outside diameter eccentric locking collar

Mounting dimensions

J	187 mm	Distance fixing bore
N	23 mm	Fixing bore
n	4	Number of screwing holes

Additional information

	1	Number of housings
	CJ18	Housing
	GE90-XL-KRR-B	Bearing designation