



★ RCJO60-XL

Flanged housing unit

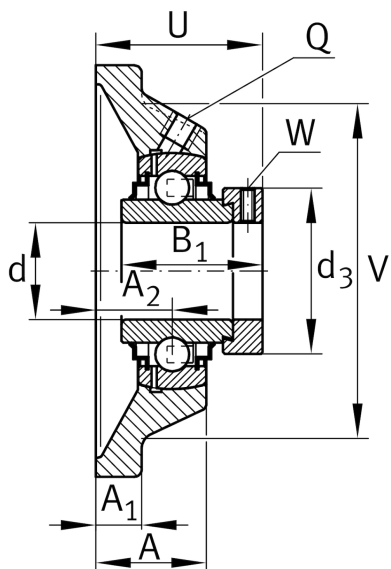
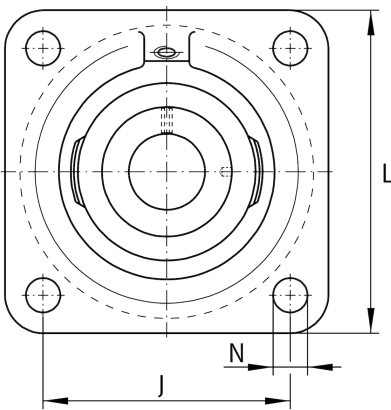
Schaeffler ID:
0009467370000

Housing units RCJO, four-bolt flanged housing units, cast iron, eccentric locking collar, series 63, R seals

★ Preferred product

X-life

Technical information



Main Dimensions & Performance Data

d	60 mm	Bore diameter
L	195 mm	Flange width
U	78,4 mm	Total height unit
C_r	82.000 N	Basic dynamic load rating, radial
C_{0r}	52.000 N	Basic static load rating, radial
C_{ur}	2.460 N	Fatigue load limit, radial
	6,73 kg	Weight

Dimensions

A	49,5 mm	Height housing
A_1	22 mm	Thickness of flange
A_2	33 mm	Distance raceway
V	170 mm	Shoulder diameter housing
Q	M6	Connection thread lubrication
d_3	89 mm	Outside diameter eccentric locking collar

Mounting dimensions

J	150 mm	Distance fixing bore
N	23 mm	Fixing bore
n	4	Number of screwing holes

Additional information

	1	Number of housings
	CJO12	Housing
	GNE60-XL-KRR-B	Bearing designation