



## ★ RCJO70-XL

Flanged housing unit

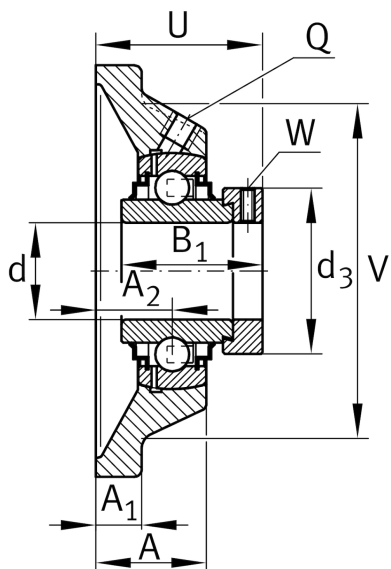
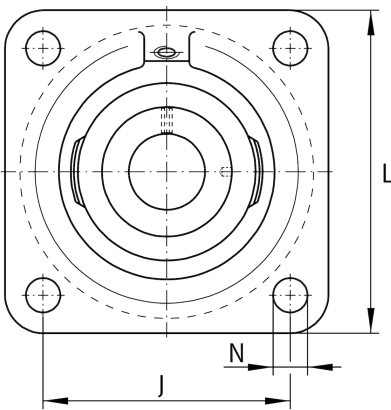
Schaeffler ID:  
0009467450000

★ Preferred product

Housing units RCJO, four-bolt flanged housing units, cast iron, eccentric locking collar, series 63, R seals

X-life

### Technical information



### Main Dimensions & Performance Data

d	70 mm	Bore diameter
L	226 mm	Flange width
U	85,4 mm	Total height unit
$C_r$	111.000 N	Basic dynamic load rating, radial
$C_{0r}$	68.000 N	Basic static load rating, radial
$C_{ur}$	3.400 N	Fatigue load limit, radial
	10 kg	Weight

### Dimensions

A	54,5 mm	Height housing
$A_1$	25 mm	Thickness of flange
$A_2$	36 mm	Distance raceway
V	196 mm	Shoulder diameter housing
Q	M6	Connection thread lubrication
$d_3$	102 mm	Outside diameter eccentric locking collar

### Mounting dimensions

J	178 mm	Distance fixing bore
N	25 mm	Fixing bore
n	4	Number of screwing holes

### Additional information

	1	Number of housings
	CJO14	Housing
	GNE70-XL-KRR-B	Bearing designation