



★ RCJTA30-XL-N

Flanged housing unit

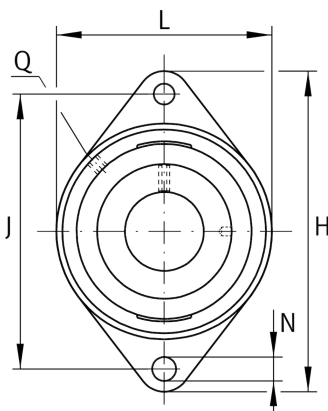
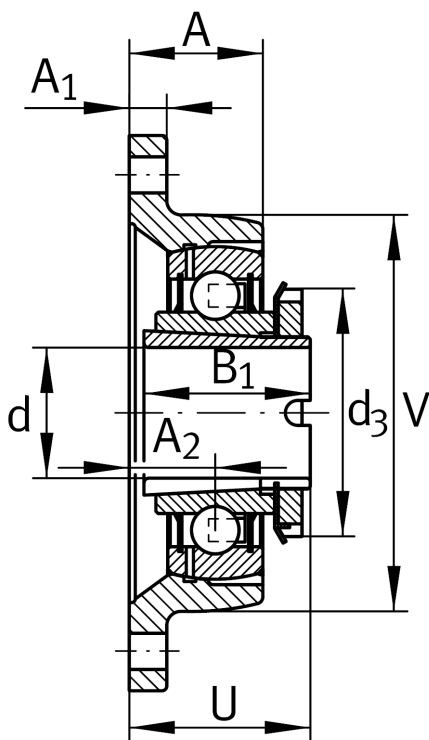
Schaeffler ID:
0009700500000

Housing units RCJTA, two-bolt flanged housing units, cast iron, adapter sleeve, R seals

★ Preferred product

X-life

Technical information



Main Dimensions & Performance Data

d	30 mm	Bore diameter
L	80 mm	Flange width
H	142 mm	Height flange
U	44 mm	Total height unit
C_r	20.100 N	Basic dynamic load rating, radial
C_{0r}	11.600 N	Basic static load rating, radial
C_{ur}	600 N	Fatigue load limit, radial
	0,8 kg	Weight

Dimensions

A	29 mm	Height housing
A_1	12 mm	Thickness of flange
A_2	20 mm	Distance raceway
V	80 mm	Shoulder diameter housing
Q	M6	Connection thread lubrication
d_3	45 mm	Outside diameter eccentric locking collar

Mounting dimensions

J	116,5 mm	Distance fixing bore
N	11.5 mm	Fixing bore
n	2	Number of screwing holes

Additional information

	1	Number of housings
	CJT06	Housing
	GSH30-XL-2RSR-B	Bearing designation
	KASK06	Protecting cap