



★ RME80-XL

Flanged housing unit

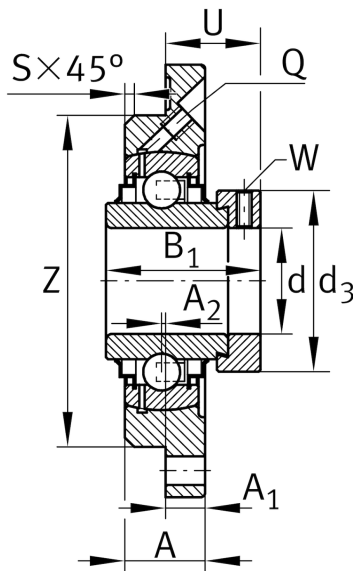
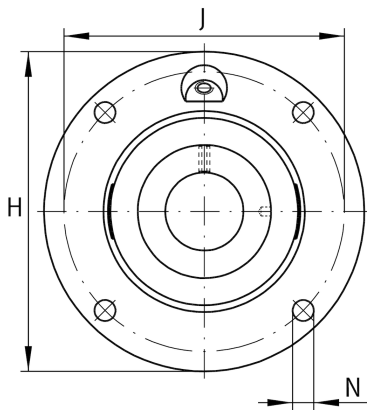
Schaeffler ID:
0009058440000

★ Preferred product

Housing units RME, four-bolt flanged housing units, cast iron, centring spigot, eccentric locking collar, R seals

X-life

Technical information



Main Dimensions & Performance Data

d	80 mm	Bore diameter
H	220 mm	Height flange
B ₁	70,7 mm	Locking collar total width
U	49,3 mm	Total height unit
C _r	72.000 N	Basic dynamic load rating, radial
C _{0r}	54.000 N	Basic static load rating, radial
C _{ur}	2.190 N	Fatigue load limit, radial
	5,51 kg	Weight

Dimensions

A	31 mm	Height housing
A ₁	18 mm	Thickness of flange
A ₂	-2 mm	Distance raceway
S	6 mm	Chamfer width
Q	M6	Connection thread lubrication

Mounting dimensions

J	184 mm	Pitch circle diameter (holes)
N	18 mm	Fixing bore
Z	160 mm	Diameter spigot
	h8	Diameter spigot clearance
n	4	Number of screwing holes

Additional information

	1	Number of housings
	GG.ME16	Housing
	GE80-XL-KRR-B	Bearing designation