



★ RME90-XL

Flanged housing unit

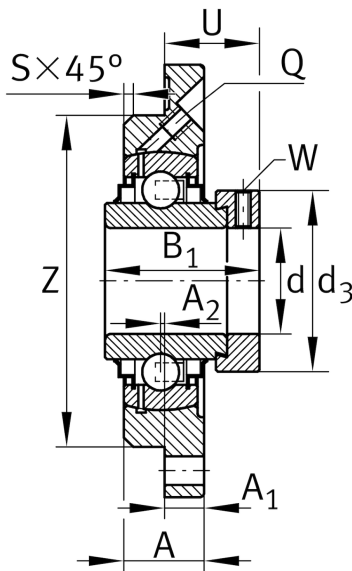
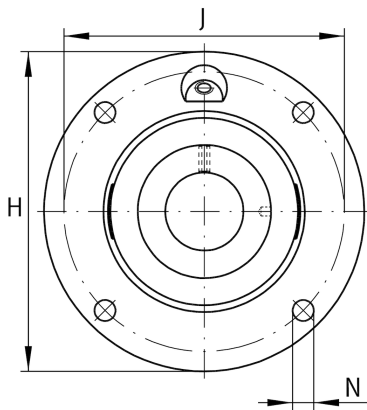
Schaeffler ID:
0008776460000

★ Preferred product

Housing units RME, four-bolt flanged housing units, cast iron, centring spigot, eccentric locking collar, R seals

X-life

Technical information



Main Dimensions & Performance Data

d	90 mm	Bore diameter
H	265 mm	Height flange
B ₁	69,5 mm	Locking collar total width
U	50,5 mm	Total height unit
C _r	109.000 N	Basic dynamic load rating, radial
C _{0r}	79.000 N	Basic static load rating, radial
C _{ur}	3.350 N	Fatigue load limit, radial
	8,45 kg	Weight

Dimensions

A	32 mm	Height housing
A ₁	20 mm	Thickness of flange
A ₂	-4 mm	Distance raceway
S	3 mm	Chamfer width
Q	Rp1/8	Connection thread lubrication

Mounting dimensions

J	220 mm	Pitch circle diameter (holes)
N	23 mm	Fixing bore
Z	190 mm	Diameter spigot
	h8	Diameter spigot clearance
n	4	Number of screwing holes

Additional information

	1	Number of housings
	GG.ME18	Housing
	GE90-XL-KRR-B	Bearing designation