



★ RSAO60-XL

Plummer block housing unit

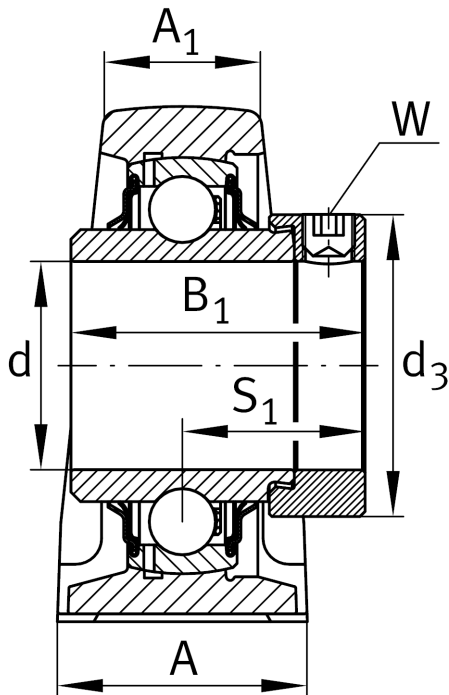
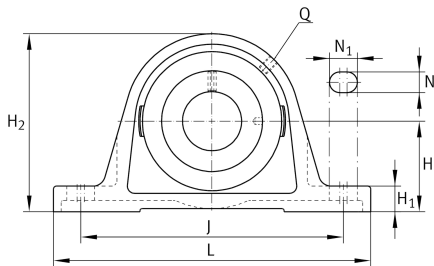
Schaeffler ID:
0009452930000

Plummer block housing units RSAO, cast iron housing, radial insert ball bearing with eccentric locking collar, R seals

★ Preferred product

X-life

Technical information



Main Dimensions & Performance Data

d	60 mm	Bore diameter
L	330 mm	Length total
H ₂	165 mm	Height
	8,67 kg	Weight

Dimensions

H	85 mm	Distance shaft axis
A	85 mm	Width (base)
A ₁	46 mm	Width (head)
H ₁	32 mm	Height (base)
B ₁	68 mm	Locking collar total width
S ₁	45 mm	Distance of raceway to locking collar
Q	M6	Connection thread lubrication

Mounting dimensions

J	250 mm	Distance fixing bore
N	25 mm	Width (slot)
N ₁	38 mm	Length (slot)

Additional information

SAO12	Housing
GNE60-XL-KRR-B	Bearing designation