



## ★ RTUE90-XL

Take-up housing unit

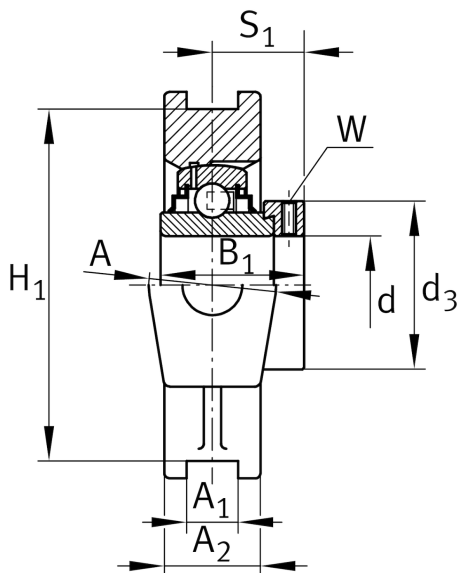
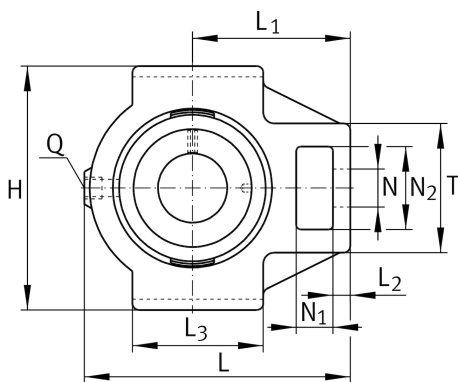
Schaeffler ID:  
0008776700000

★ Preferred product

Take-up housing units RTUE, cast iron housing, radial insert ball bearing with eccentric locking collar, R seals

X-life

### Technical information



### Main Dimensions & Performance Data

d	90 mm	Bore diameter
H	215 mm	Height
L	275 mm	Length total
	11,57 kg	Weight

### Dimensions

L <sub>1</sub>	170 mm	Distance shaft axis
L <sub>2</sub>	30 mm	Length fixed link
L <sub>3</sub>	140 mm	Length guidance groove
A	80 mm	Width housing fixing side
N <sub>1</sub>	40 mm	Width recess
N <sub>2</sub>	80 mm	Height recess
T	130 mm	Height housing fixing side
Q	Rp1/8	Connection thread lubrication
A <sub>2</sub>	55 mm	Width housing

### Mounting dimensions

A <sub>1</sub>	28 mm	Width guidance groove
	H13	Width guidance groove clearance
H <sub>1</sub>	190 mm	Distance guidance grooves
	0,25 mm	Upper distance guidance groove tolerance
	-0,25 mm	Lower distance guidance groove tolerance
N	47 mm	Fixing bore

### Additional information

TUE18	Housing
GE90-XL-KRR-B	Bearing designation