



★ TCJ80-XL

Flanged housing unit

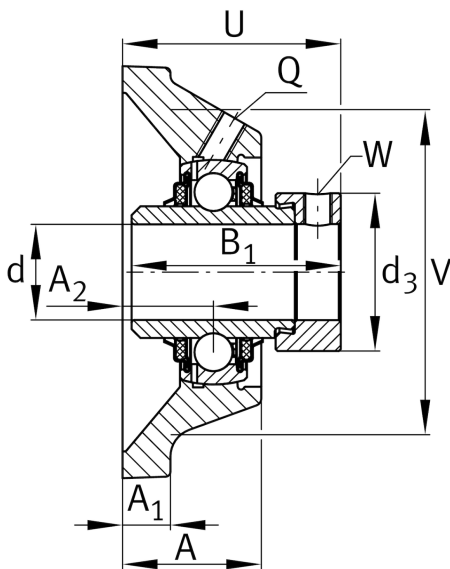
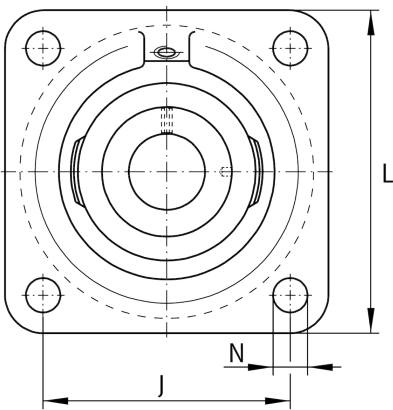
Schaeffler ID:
0009831280000

★ Preferred product

Housing units TCJ, four-bolt flanged housing units, cast iron, eccentric locking collar, T seals

X-life

Technical information



Main Dimensions & Performance Data

d	80 mm	Bore diameter
L	197 mm	Flange width
U	88,9 mm	Total height unit
C_r	76.000 N	Basic dynamic load rating, radial
C_{0r}	54.000 N	Basic static load rating, radial
C_{ur}	2.700 N	Fatigue load limit, radial
	6,55 kg	Weight

Dimensions

A	55,8 mm	Height housing
A_1	20 mm	Thickness of flange
A_2	41,3 mm	Distance raceway
V	180 mm	Shoulder diameter housing
Q	Rp1/8	Connection thread lubrication

Mounting dimensions

J	153 mm	Distance fixing bore
N	23 mm	Fixing bore
n	4	Number of screwing holes

Additional information

	1	Number of housings
	CJ16	Housing
	GE80-XL-KTT-B	Bearing designation