



## ★ RCJ65-214-XL

Flanged housing unit

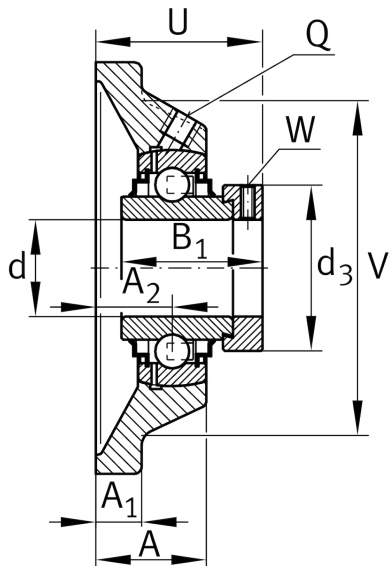
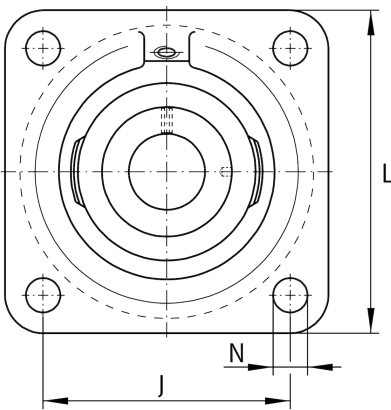
Schaeffler ID:  
0008774920000

Housing units RCJ, four-bolt flanged housing units, cast iron, eccentric locking collar, R seals

★ Preferred product

X-life

### Technical information



### Main Dimensions & Performance Data

d	65 mm	Bore diameter
L	188 mm	Flange width
U	82,6 mm	Total height unit
C <sub>r</sub>	66.000 N	Basic dynamic load rating, radial
C <sub>0r</sub>	44.000 N	Basic static load rating, radial
C <sub>ur</sub>	2.300 N	Fatigue load limit, radial
	5,71 kg	Weight

### Dimensions

A	52 mm	Height housing
A <sub>1</sub>	18 mm	Thickness of flange
A <sub>2</sub>	38 mm	Distance raceway
V	165 mm	Shoulder diameter housing
Q	Rp1/8	Connection thread lubrication
d <sub>3</sub>	96 mm	Outside diameter eccentric locking collar

### Mounting dimensions

J	150 mm	Distance fixing bore
N	18 mm	Fixing bore
n	4	Number of screwing holes

### Additional information

	1	Number of housings
	CJ14	Housing
	GE65-214-XL-KRR-B	Bearing designation