



★ RCJ70-XL

Flanged housing unit

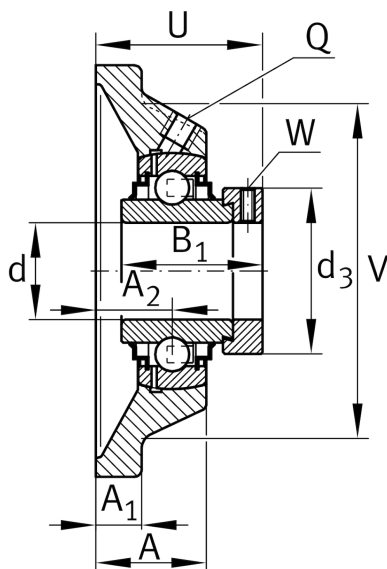
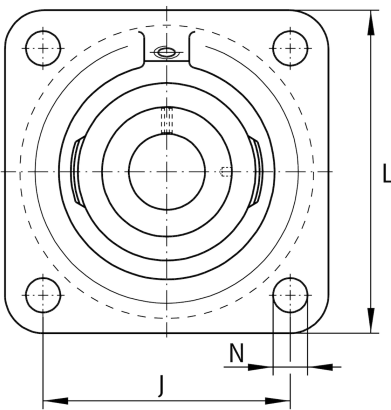
Schaeffler ID:
0008775060000

Housing units RCJ, four-bolt flanged housing units, cast iron, eccentric locking collar, R seals

★ Preferred product

X-life

Technical information



Main Dimensions & Performance Data

d	70 mm	Bore diameter
L	188 mm	Flange width
U	82,5 mm	Total height unit
C _r	66.000 N	Basic dynamic load rating, radial
C _{0r}	44.000 N	Basic static load rating, radial
C _{ur}	2.300 N	Fatigue load limit, radial
	5,45 kg	Weight

Dimensions

A	52 mm	Height housing
A ₁	18 mm	Thickness of flange
A ₂	38 mm	Distance raceway
V	165 mm	Shoulder diameter housing
Q	Rp1/8	Connection thread lubrication
d ₃	96 mm	Outside diameter eccentric locking collar

Mounting dimensions

J	150 mm	Distance fixing bore
N	18 mm	Fixing bore
n	4	Number of screwing holes

Additional information

	1	Number of housings
	CJ14	Housing
	GE70-XL-KRR-B	Bearing designation