



## ★ RCJO90-XL

Flanged housing unit

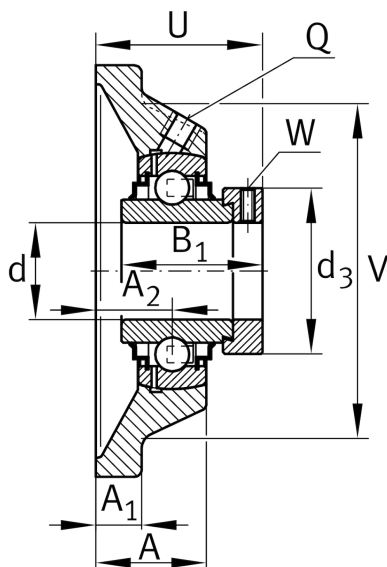
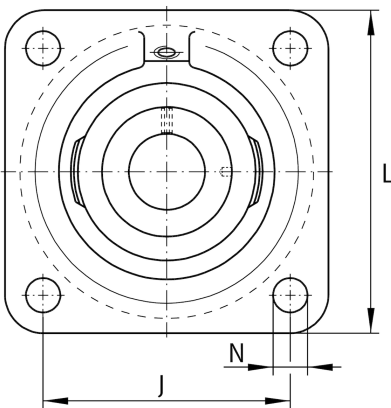
Schaeffler ID:  
0008840060000

★ Preferred product

Housing units RCJO, four-bolt flanged housing units, cast iron, eccentric locking collar, series 63, R seals

X-life

### Technical information



### Main Dimensions & Performance Data

d	90 mm	Bore diameter
L	280 mm	Flange width
U	114 mm	Total height unit
$C_r$	143.000 N	Basic dynamic load rating, radial
$C_{0r}$	107.000 N	Basic static load rating, radial
$C_{ur}$	3.850 N	Fatigue load limit, radial
	21,76 kg	Weight

### Dimensions

A	85 mm	Height housing
$A_1$	28,5 mm	Thickness of flange
$A_2$	48,5 mm	Distance raceway
V	230 mm	Shoulder diameter housing
Q	M6	Connection thread lubrication
$d_3$	132 mm	Outside diameter eccentric locking collar

### Mounting dimensions

J	216 mm	Distance fixing bore
N	28 mm	Fixing bore
n	4	Number of screwing holes

### Additional information

	1	Number of housings
	CJO18	Housing
	GNE90-XL-KRR-B	Bearing designation