



★ RME65-214-XL

Flanged housing unit

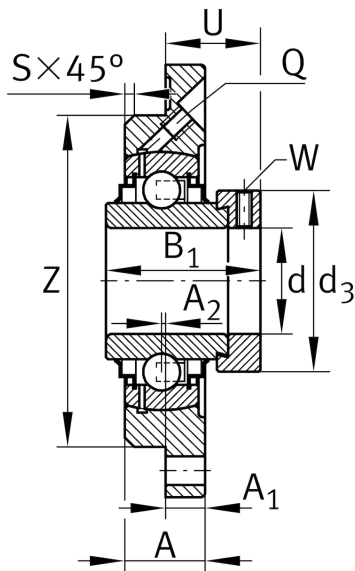
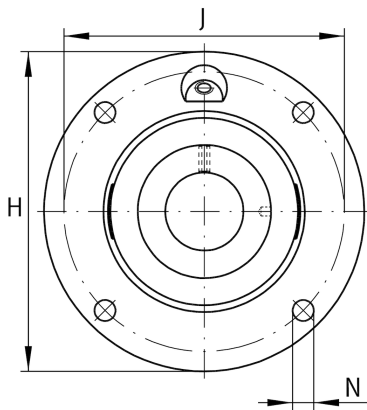
Schaeffler ID:
0009119410000

★ Preferred product

Housing units RME, four-bolt flanged housing units, cast iron, centring spigot, eccentric locking collar, R seals

X-life

Technical information



Main Dimensions & Performance Data

| | | |
|-----------------|----------|-----------------------------------|
| d | 65 mm | Bore diameter |
| H | 215 mm | Height flange |
| B ₁ | 66 mm | Locking collar total width |
| U | 44,5 mm | Total height unit |
| C _r | 66.000 N | Basic dynamic load rating, radial |
| C _{0r} | 44.000 N | Basic static load rating, radial |
| C _{ur} | 2.300 N | Fatigue load limit, radial |
| | 5,3 kg | Weight |

Dimensions

| | | |
|----------------|-------|-------------------------------|
| A | 32 mm | Height housing |
| A ₁ | 18 mm | Thickness of flange |
| S | 6 mm | Chamfer width |
| Q | Rp1/8 | Connection thread lubrication |

Mounting dimensions

| | | |
|---|--------|-------------------------------|
| J | 177 mm | Pitch circle diameter (holes) |
| N | 18 mm | Fixing bore |
| Z | 150 mm | Diameter spigot |
| | h8 | Diameter spigot clearance |
| n | 4 | Number of screwing holes |

Additional information

| | | |
|--|-------------------|---------------------|
| | 1 | Number of housings |
| | GG.ME14 | Housing |
| | GE65-214-XL-KRR-B | Bearing designation |