



★ RMEO100-XL

Flanged housing unit

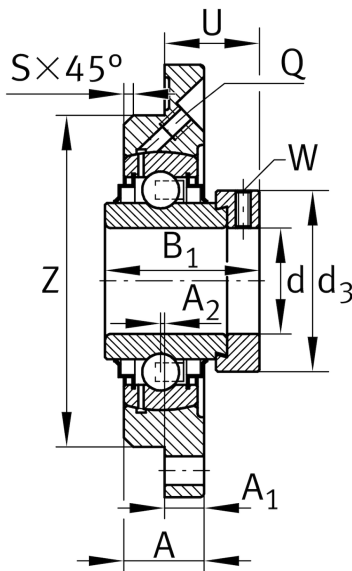
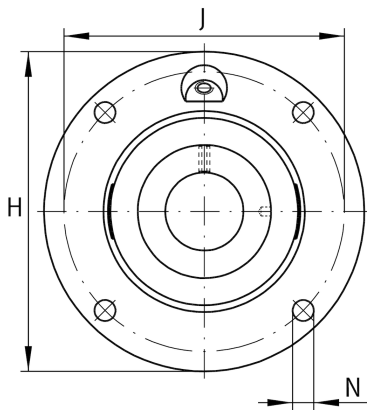
Schaeffler ID:
0008840490000

★ Preferred product

Housing units RMEO, four-bolt flanged housing units, cast iron, centring spigot, eccentric locking collar, series 63, R seals

X-life

Technical information



Main Dimensions & Performance Data

d	100 mm	Bore diameter
H	340 mm	Height flange
B ₁	109,4 mm	Locking collar total width
U	68,5 mm	Total height unit
C _r	184.000 N	Basic dynamic load rating, radial
C _{0r}	141.000 N	Basic static load rating, radial
C _{ur}	5.800 N	Fatigue load limit, radial
	21,64 kg	Weight

Dimensions

A	57 mm	Height housing
A ₁	27 mm	Thickness of flange
A ₂	1,5 mm	Distance raceway
S	8 mm	Chamfer width
Q	Rp1/8	Connection thread lubrication

Mounting dimensions

J	295 mm	Pitch circle diameter (holes)
N	26 mm	Fixing bore
Z	250 mm	Diameter spigot
	h8	Diameter spigot clearance
n	4	Number of screwing holes

Additional information

	1	Number of housings
	MEO20	Housing
	GNE100-XL-KRR-B-	Bearing designation
	FA107	