



★ RTUEO90-XL

Take-up housing unit

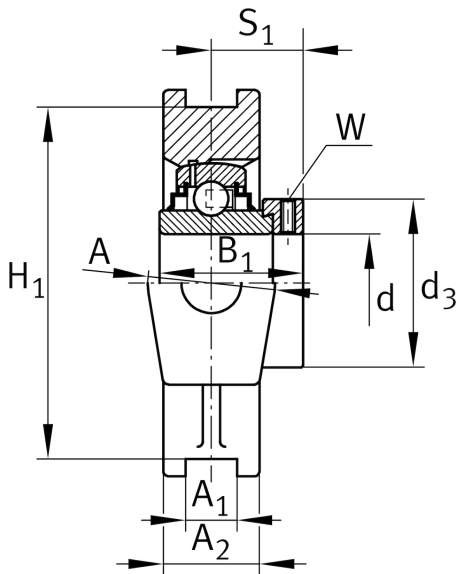
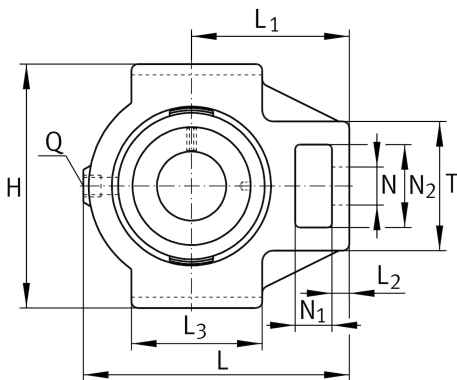
Schaeffler ID:
0008840650000

★ Preferred product

Take-up housing units RTUEO, cast iron housing, radial insert ball bearing with eccentric locking collar, heavy series, R seals

X-life

Technical information



Main Dimensions & Performance Data

d	90 mm	Bore diameter
H	255 mm	Height
L	312 mm	Length total
	22,26 kg	Weight

Dimensions

L ₁	192 mm	Distance shaft axis
L ₂	30 mm	Length fixed link
L ₃	165 mm	Length guidance groove
A	110 mm	Width housing fixing side
N ₁	46 mm	Width recess
N ₂	106 mm	Height recess
T	160 mm	Height housing fixing side
Q	M6	Connection thread lubrication
A ₂	66 mm	Width housing

Mounting dimensions

A ₁	32 mm	Width guidance groove
	H13	Width guidance groove clearance
H ₁	228 mm	Distance guidance grooves
	0 mm	Upper distance guidance groove tolerance
	-0,6 mm	Lower distance guidance groove tolerance
N	57 mm	Fixing bore

Additional information

TUEO18	Housing
GNE90-XL-KRR-B	Bearing designation