



★ RCJL70-XL

Flanged housing unit

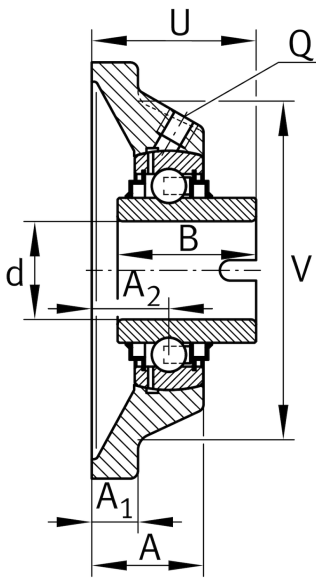
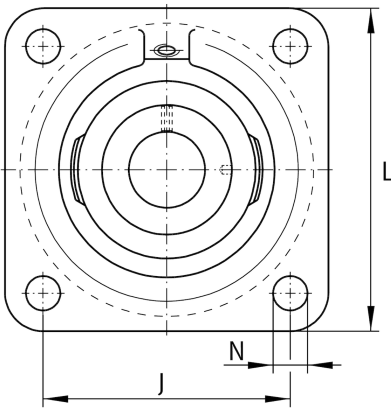
Schaeffler ID:
0008489800000

★ Preferred product

Housing units RCJL, four-bolt flanged housing units, cast iron, non-locating bearing, drive slot on inner ring, R seals

X-life

Technical information



Main Dimensions & Performance Data

d	70 mm	Bore diameter
L	188 mm	Flange width
U	79,2 mm	Total height unit
C_r	66.000 N	Basic dynamic load rating, radial
C_{0r}	44.000 N	Basic static load rating, radial
C_{ur}	2.020 N	Fatigue load limit, radial
	5,65 kg	Weight

Dimensions

A	52 mm	Height housing
A_1	18 mm	Thickness of flange
A_2	38 mm	Distance raceway
V	165 mm	Shoulder diameter housing
Q	Rp1/8	Connection thread lubrication

Mounting dimensions

J	150 mm	Distance fixing bore
N	18 mm	Fixing bore
n	4	Number of screwing holes

Additional information

	1	Number of housings
	CJ14	Housing
	GLE70-XL-KRR-B	Bearing designation