



★ RCJO100-XL

Flanged housing unit

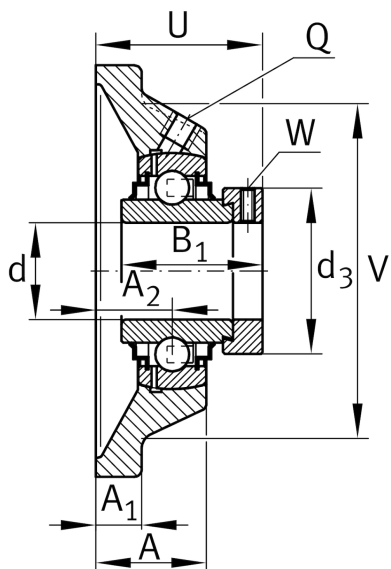
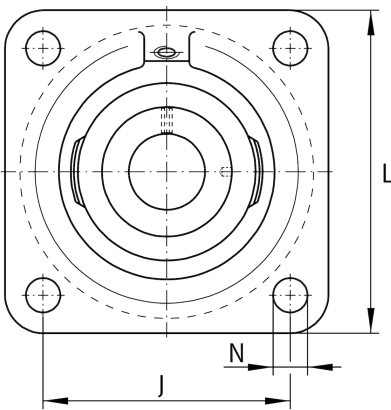
Schaeffler ID:
0008840140000

★ Preferred product

Housing units RCJO, four-bolt flanged housing units, cast iron, eccentric locking collar, series 63, R seals

X-life

Technical information



Main Dimensions & Performance Data

d	100 mm	Bore diameter
L	310 mm	Flange width
U	125 mm	Total height unit
C_r	184.000 N	Basic dynamic load rating, radial
C_{0r}	141.000 N	Basic static load rating, radial
C_{ur}	5.800 N	Fatigue load limit, radial
	32,56 kg	Weight

Dimensions

A	97 mm	Height housing
A_1	32 mm	Thickness of flange
A_2	55 mm	Distance raceway
V	268 mm	Shoulder diameter housing
Q	Rp1/8	Connection thread lubrication
d_3	145 mm	Outside diameter eccentric locking collar

Mounting dimensions

J	242 mm	Distance fixing bore
N	32 mm	Fixing bore
n	4	Number of screwing holes

Additional information

	1	Number of housings
	CJO20	Housing
	GNE100-XL-KRR-B	Bearing designation