



★ RCJT75-XL

Flanged housing unit

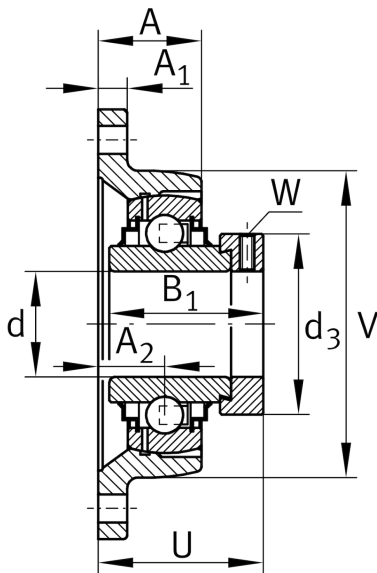
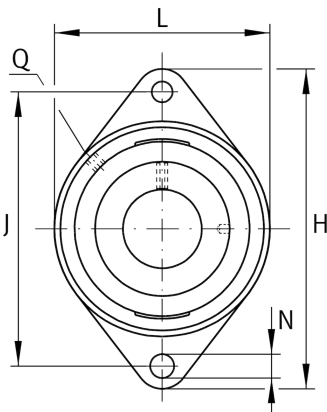
Schaeffler ID:
0008774410000

Housing units RCJT, two-bolt flanged housing units, cast iron, eccentric locking collar, R seals

★ Preferred product

X-life

Technical information



Main Dimensions & Performance Data

d	75 mm	Bore diameter
L	160 mm	Flange width
H	258 mm	Height flange
U	83,6 mm	Total height unit
C _r	66.000 N	Basic dynamic load rating, radial
C _{0r}	44.500 N	Basic static load rating, radial
C _{ur}	2.300 N	Fatigue load limit, radial
	5,61 kg	Weight

Dimensions

A	57 mm	Height housing
A ₁	18 mm	Thickness of flange
A ₂	38 mm	Distance raceway
V	160 mm	Shoulder diameter housing
Q	M6	Connection thread lubrication
d ₃	100 mm	Outside diameter eccentric locking collar

Mounting dimensions

J	216 mm	Distance fixing bore
N	21 mm	Fixing bore
n	2	Number of screwing holes

Additional information

	1	Number of housings
	CJT15	Housing
	GE75-XL-KRR-B	Bearing designation