



## ★ RSAO90-XL

Plummer block housing unit

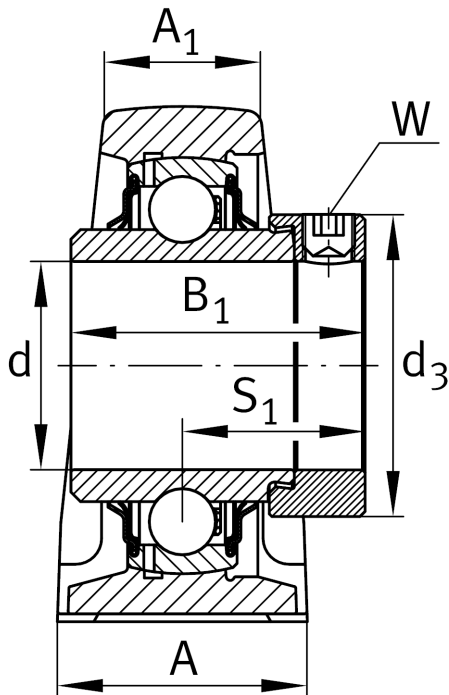
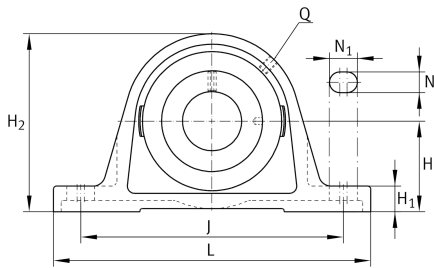
Schaeffler ID:  
0008839720000

Plummer block housing units RSAO, cast iron housing, radial insert ball bearing with eccentric locking collar, R seals

★ Preferred product

X-life

### Technical information



### Main Dimensions & Performance Data

d	90 mm	Bore diameter
L	410 mm	Length total
H <sub>2</sub>	250 mm	Height
	28,86 kg	Weight

### Dimensions

H	130 mm	Distance shaft axis
A	120 mm	Width (base)
A <sub>1</sub>	84 mm	Width (head)
H <sub>1</sub>	57 mm	Height (base)
B <sub>1</sub>	101 mm	Locking collar total width
S <sub>1</sub>	65,5 mm	Distance of raceway to locking collar
Q	M6	Connection thread lubrication

### Mounting dimensions

J	340 mm	Distance fixing bore
N	28 mm	Width (slot)
N <sub>1</sub>	54 mm	Length (slot)

### Additional information

SAO18	Housing
GNE90-XL-KRR-B	Bearing designation