

★ AS120155

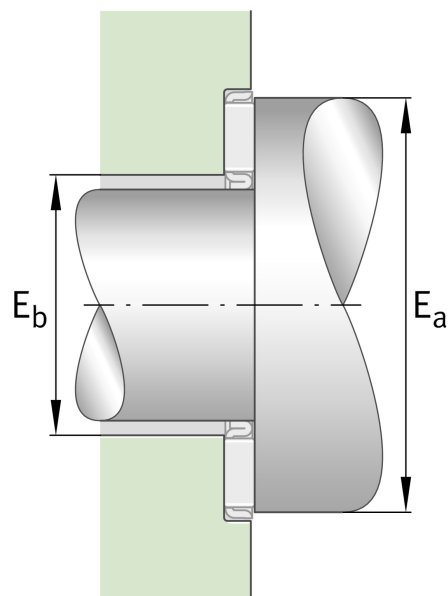
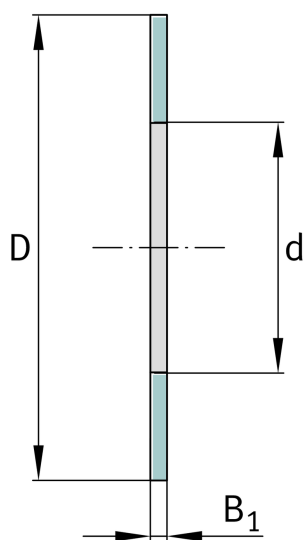
Axial bearing washer

Schaeffler ID:
0000198440000

Axial bearing washers, suitable for AXK
and K811, to DIN 5405-3/ISO 303

★ Preferred product

Technical information



Main Dimensions & Performance Data

d	120 mm	Bore diameter bearing washer
D	155 mm	Outside diameter bearing washer
B ₁	1 mm	Height bearing washer
	55,4 g	Weight