

## ★ AS1528

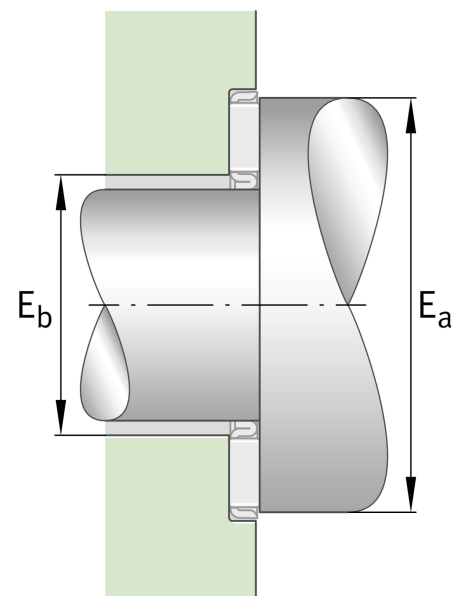
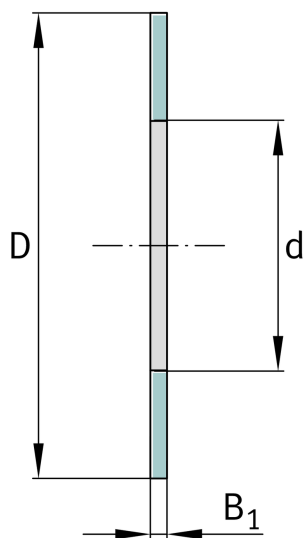
Axial bearing washer

Schaeffler ID:  
0000194610000

Axial bearing washers, suitable for AXK  
and K811, to DIN 5405-3/ISO 303

★ Preferred product

### Technical information



### Main Dimensions & Performance Data

|                |         |                                 |
|----------------|---------|---------------------------------|
| d              | 15 mm   | Bore diameter bearing washer    |
| D              | 28 mm   | Outside diameter bearing washer |
| B <sub>1</sub> | 1 mm    | Height bearing washer           |
|                | 3,215 g | Weight                          |