

★ AS75100

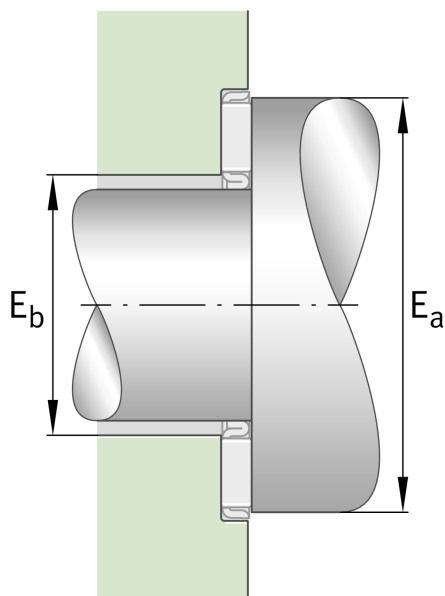
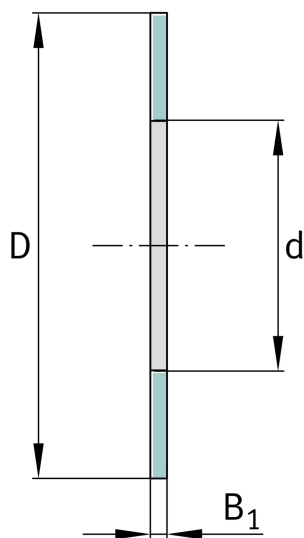
Axial bearing washer

Schaeffler ID:
0000197200000

Axial bearing washers, suitable for AXK
and K811, to DIN 5405-3/ISO 303

★ Preferred product

Technical information



Main Dimensions & Performance Data

| | | |
|----------------|--------|---------------------------------|
| d | 75 mm | Bore diameter bearing washer |
| D | 100 mm | Outside diameter bearing washer |
| B ₁ | 1 mm | Height bearing washer |
| | 25,7 g | Weight |