

## ★ SL014914

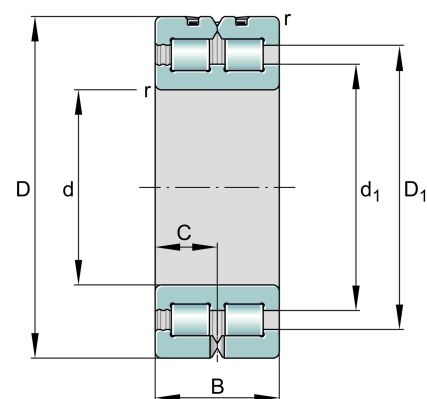
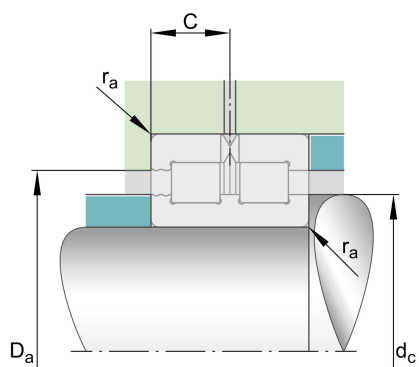
### Cylindrical roller bearing

Schaeffler ID:  
0001210700000

★ Preferred product

Cylindrical roller bearings SL0149, locating bearing, double row, full complement cylindrical roller set, dimension series 49

## Technical information



### Temperature range

$T_{min}$	-30 °C	Operating temperature min.
$T_{max}$	120 °C	Operating temperature max.
	0,769 kg	Weight

### Main Dimensions & Performance Data

d	70 mm	Bore diameter
D	100 mm	Outside diameter
B	30 mm	Width
$C_r$	106.000 N	Basic dynamic load rating, radial
$C_{0r}$	185.000 N	Basic static load rating, radial
$C_{ur}$	27.500 N	Fatigue load limit, radial
$n_G$	3.900 1/min	Limiting speed
$n_{gr}$	2.330 1/min	Reference speed

### Dimensions

$r_{min}$	1 mm	Minimum chamfer dimension
$d_1$	82,5 mm	Maximum rib diameter inner ring
$D_{1min}$	87,4 mm	Minimum rib diameter outer ring
$d_{cmin}$	82,5 mm	Minimum shaft shoulder
C	15 mm	Distance to lubrication hole

### Mounting dimensions

$r_{amax}$	1 mm	Maximum recess radius
$d_{amin}$	82,5 mm	Minimum diameter shaft shoulder
$D_{amax}$	87,5 mm	Maximum diameter of housing shoulder

### Additional information

NNC4914V	Bearing designation DIN5412
----------	-----------------------------