

## ★ SL014918

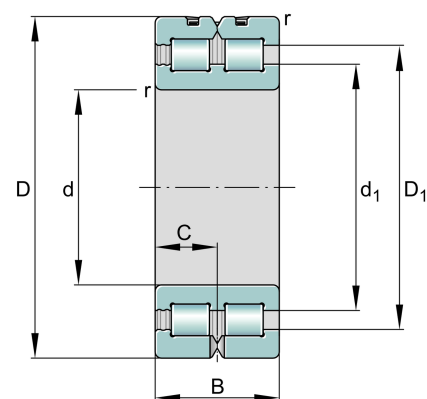
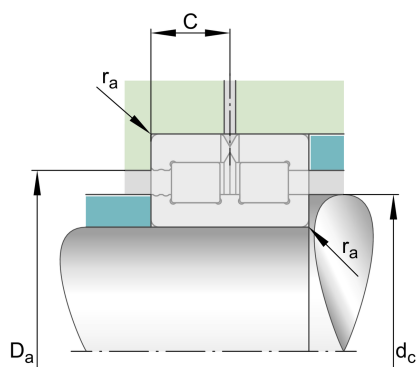
### Cylindrical roller bearing

Schaeffler ID:  
0001213040000

★ Preferred product

Cylindrical roller bearings SL0149, locating bearing, double row, full complement cylindrical roller set, dimension series 49

## Technical information



### Temperature range

$T_{\min}$	-30 °C	Operating temperature min.
$T_{\max}$	120 °C	Operating temperature max.
	1,312 kg	Weight

### Main Dimensions & Performance Data

d	90 mm	Bore diameter
D	125 mm	Outside diameter
B	35 mm	Width
$C_r$	153.000 N	Basic dynamic load rating, radial
$C_{0r}$	290.000 N	Basic static load rating, radial
$C_{ur}$	39.500 N	Fatigue load limit, radial
$n_G$	3.050 1/min	Limiting speed
$n_{gr}$	1.870 1/min	Reference speed

### Dimensions

$r_{\min}$	1,1 mm	Minimum chamfer dimension
$d_1$	103,9 mm	Maximum rib diameter inner ring
$D_{1\min}$	110,7 mm	Minimum rib diameter outer ring
$d_{c\min}$	103,5 mm	Minimum shaft shoulder
C	17,5 mm	Distance to lubrication hole

### Mounting dimensions

$r_{a\max}$	1,1 mm	Maximum recess radius
$d_{a\min}$	103,9 mm	Minimum diameter shaft shoulder
$D_{a\max}$	111 mm	Maximum diameter of housing shoulder

### Additional information

NNC4918V	Bearing designation DIN5412
----------	-----------------------------