

★ SL014922

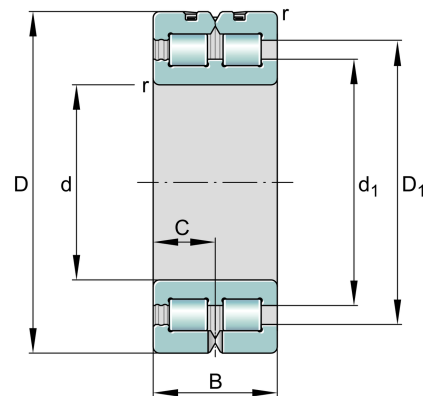
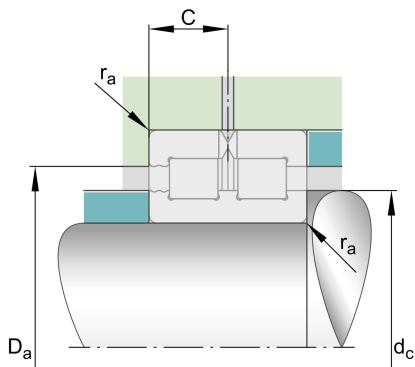
Cylindrical roller bearing

Schaeffler ID:
0001214100000

★ Preferred product

Cylindrical roller bearings SL0149, locating bearing, double row, full complement cylindrical roller set, dimension series 49

Technical information



Temperature range

T_{min}	-30 °C	Operating temperature min.
T_{max}	120 °C	Operating temperature max.
	2,09 kg	Weight

Main Dimensions & Performance Data

d	110 mm	Bore diameter
D	150 mm	Outside diameter
B	40 mm	Width
C_r	198.000 N	Basic dynamic load rating, radial
C_{0r}	400.000 N	Basic static load rating, radial
C_{ur}	51.000 N	Fatigue load limit, radial
n_G	2.500 1/min	Limiting speed
n_{gr}	1.600 1/min	Reference speed

Dimensions

r_{min}	1,1 mm	Minimum chamfer dimension
d_1	125 mm	Maximum rib diameter inner ring
D_{1min}	133,6 mm	Minimum rib diameter outer ring
d_{cmin}	125 mm	Minimum shaft shoulder
C	20 mm	Distance to lubrication hole

Mounting dimensions

$r_{a max}$	1,1 mm	Maximum recess radius
$d_{a min}$	125 mm	Minimum diameter shaft shoulder
$D_{a max}$	134 mm	Maximum diameter of housing shoulder

Additional information

NNC4922V	Bearing designation DIN5412
----------	-----------------------------