

★ SL014932

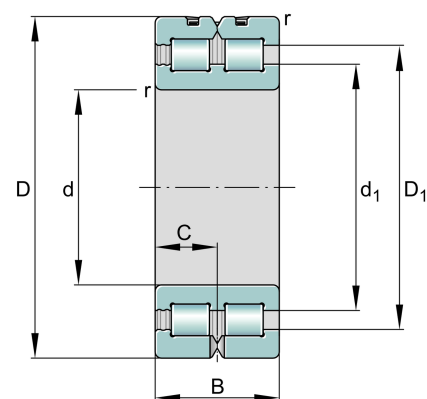
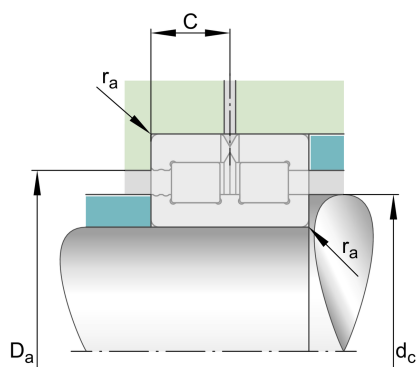
Cylindrical roller bearing

Schaeffler ID:
000121860000

★ Preferred product

Cylindrical roller bearings SL0149, locating bearing, double row, full complement cylindrical roller set, dimension series 49

Technical information



Temperature range

T_{\min}	-30 °C	Operating temperature min.
T_{\max}	120 °C	Operating temperature max.
	6,694 kg	Weight

Main Dimensions & Performance Data

d	160 mm	Bore diameter
D	220 mm	Outside diameter
B	60 mm	Width
C_r	425.000 N	Basic dynamic load rating, radial
C_{0r}	880.000 N	Basic static load rating, radial
C_{ur}	112.000 N	Fatigue load limit, radial
n_G	1.660 1/min	Limiting speed
n_{gr}	1.080 1/min	Reference speed

Dimensions

r_{\min}	2 mm	Minimum chamfer dimension
d_1	184,2 mm	Maximum rib diameter inner ring
$D_{1\min}$	200,3 mm	Minimum rib diameter outer ring
$d_{c\min}$	184 mm	Minimum shaft shoulder
C	30 mm	Distance to lubrication hole

Mounting dimensions

$r_{a\max}$	2 mm	Maximum recess radius
$d_{a\min}$	184,2 mm	Minimum diameter shaft shoulder
$D_{a\max}$	200,5 mm	Maximum diameter of housing shoulder

Additional information

NNC4932V	Bearing designation DIN5412
----------	-----------------------------