

★ NATV15

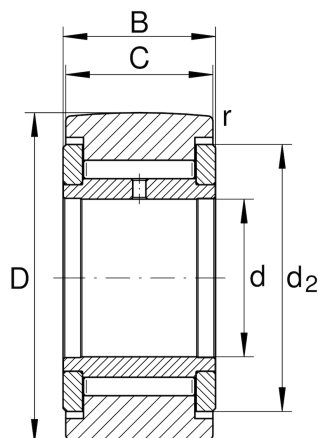
Yoke type track roller

Schaeffler ID:
0005796450000

★ Preferred product

Yoke type track rollers NATV, full complement needle roller set, with axial guidance, gap seals on both sides

Technical information



Main Dimensions & Performance Data

d	15 mm	Bore diameter
D	35 mm	Outside diameter
B	19 mm	Width, inner ring
$C_{r w}$	12.600 N	Basic dynamic load rating, radial
$C_{0r w}$	23.400 N	Basic static load rating, radial
$C_{ur w}$	3.250 N	Fatigue load limit, radial
n_{DG}	1.600 1/min	Speed on permanent grease lubrication
$F_{0r per}$	23.400 N	Permissible static load, radial
$F_{r per}$	21.500 N	Permissible dynamic load outer ring, radial
	0,105 kg	Weight

Dimensions

C	18 mm	Width, outer ring
d_2	27,6 mm	Outside diameter of thrust washer
r_{min}	0,6 mm	Minimum chamfer dimension
R	500 mm	Radius of outer ring outside profile